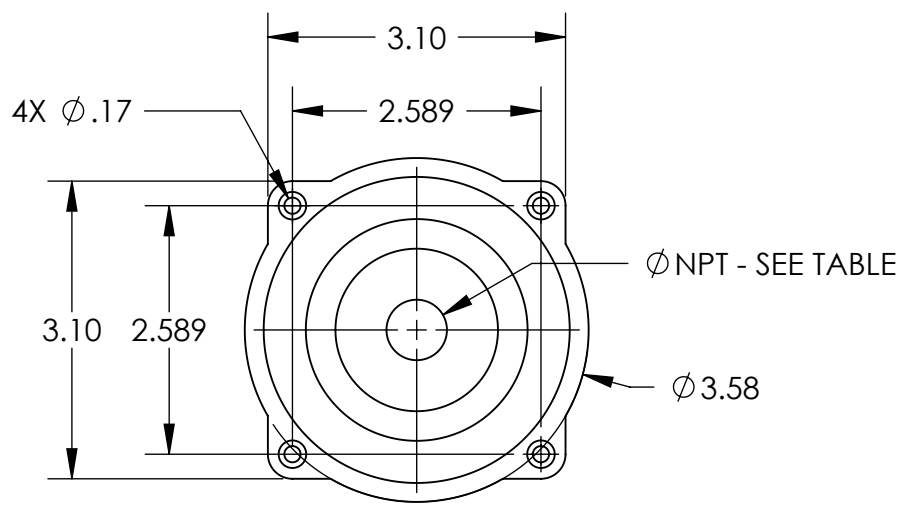
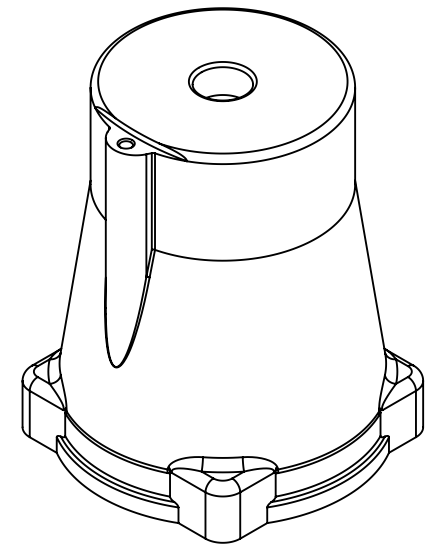
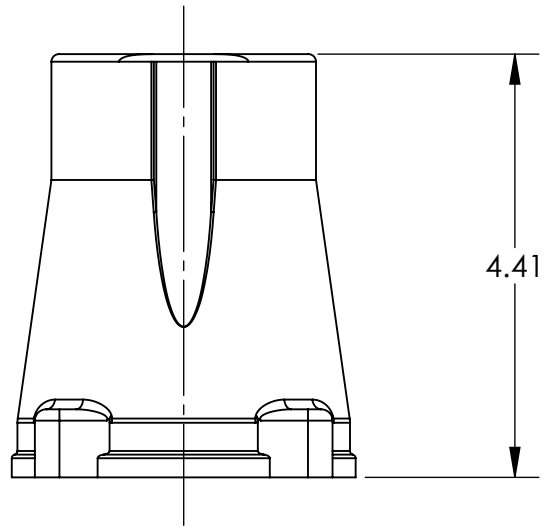


This drawing is the property of MELTRIC Corporation, Franklin (Milwaukee) Wisconsin, USA. Any unauthorized copying of this drawing by any means, ENG/RD/06 REV: 20 ISSUED DATE: 1/15/11 or disclosure of its contents to any person not authorized by MELTRIC Corporation or its agents to receive it, is strictly prohibited.



PART NUMBER	THREAD SIZE
514PON05	1/2" NPT
514PON07	3/4" NPT
514PON10	1" NPT
514PON12	1-1/4" NPT
514PON15	1-1/2" NPT

TOLERANCES UNLESS OTHERWISE SPECIFIED		MELTRIC A COMPANY OF MARECHAL ELECTRIC	
MACHINED SURFACES #error: broken link GROUND SURFACES #error: broken link ANGLE TOLERANCE ±1° REMOVE BURRS & SHARP EDGES TO .015 MAX.	ENGLISH 0.X ±0.05 0.XX ±0.01 0.XXX ±0.005	DRAWN: _____ DATE: _____	APPROVED: _____ SCALE: NTS MATERIAL: BLUE POLY
DIMENSIONS SHOWN IN OVALS ARE INSPECTION DIMENSIONS.		SHEET: 1 OF 1	DRAWING TITLE: POLY THREADED HANDLE PART NUMBER: 514PONxx REVISION: _____