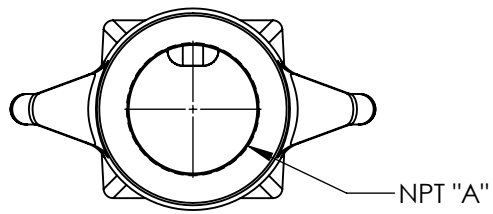
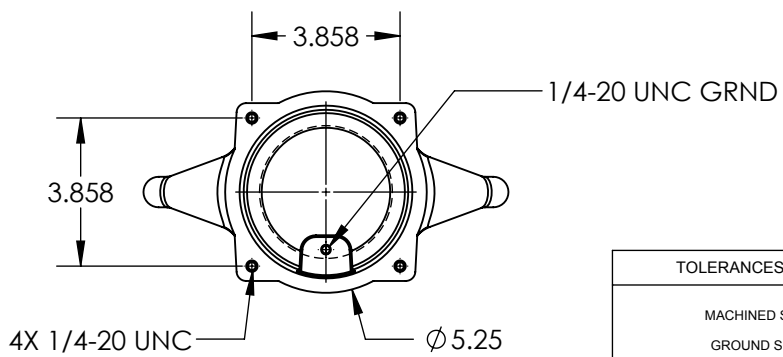
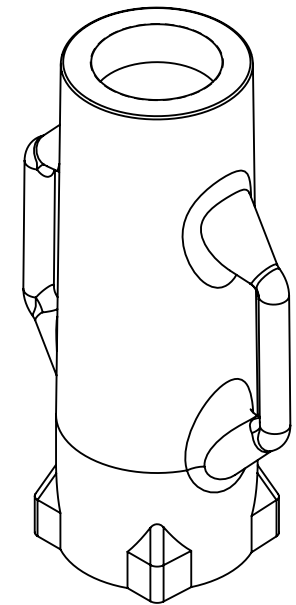
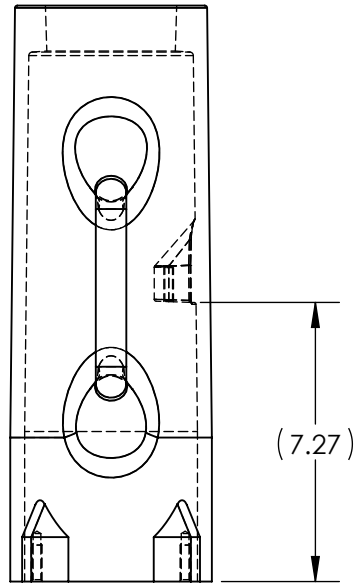
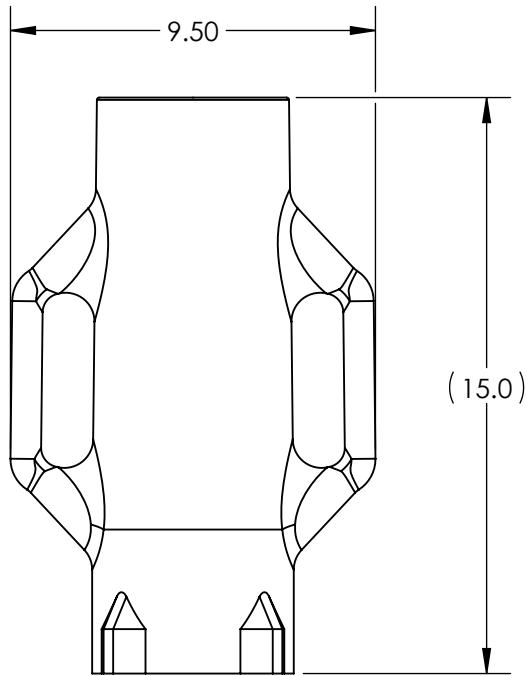




This drawing is the property of MELTRIC Corporation, Franklin (Milwaukee), Wisconsin, USA. Any unauthorized copying of this drawing by any means, ENG/RD/06 REV: 20 ISSUED DATE: 11/15/11 or disclosure of its contents to any person not authorized by MELTRIC Corporation or its agents to receive it, is strictly prohibited.



PART NUMBER	NPT "A"
5T7PON20	2" NPT
5T7PON25	2-1/2" NPT
5T7PON30	3" NPT



TOLERANCES UNLESS OTHERWISE SPECIFIED	
MACHINED SURFACES	ENGLISH
GROUND SURFACES	0.X ±0.05
ANGLE TOLERANCE ±1°	0.XX ±0.01
REMOVE BURRS & SHARP EDGES TO .015 MAX.	0.XXX ±0.005
 DIMENSIONS SHOWN IN OVALS ARE INSPECTION DIMENSIONS.	

			
A COMPANY OF MARÉCHAL ELECTRIC			
DRAWN	APPROVED	DRAWING TITLE:	
DATE:	SCALE	400A METAL HANDLE	
SHEET:	NTS	MATERIAL:	
1 OF 1		PAINTED METAL - GRAY	
PART NUMBER		REVISION	
5T7PONxx			

1  
2  
3  
4  
5  
6