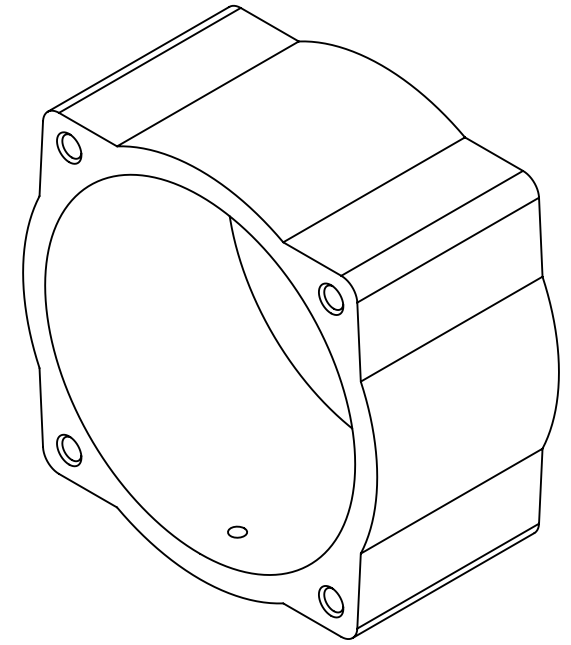
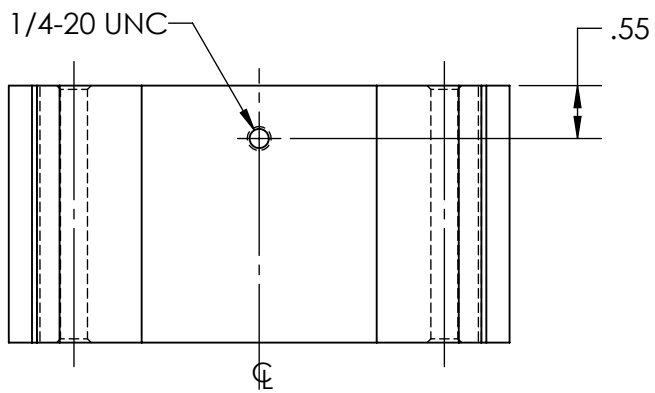
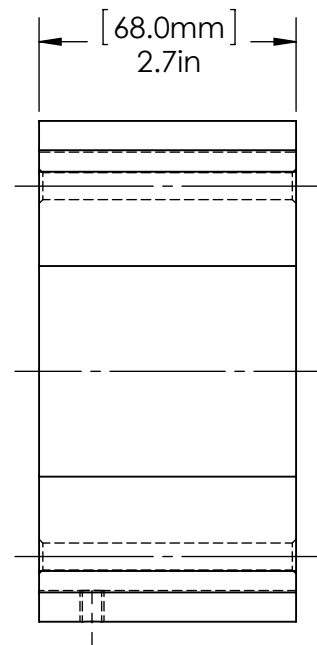
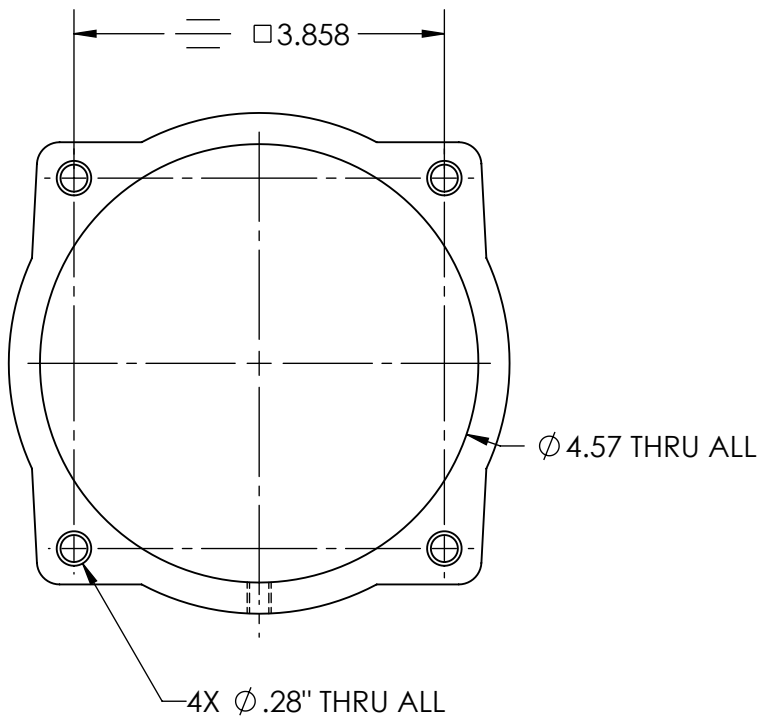


This drawing is the property of MELTRIC Corporation, Franklin (Milwaukee), Wisconsin, USA. Any unauthorized copying of this drawing by any means, ENG/RD/06 REV: 20 ISSUED DATE: 1/15/11 or disclosure of its contents to any person not authorized by MELTRIC Corporation or its agents to receive it, is strictly prohibited.



|  |  |  |          |                     |           |
|--|--|--|----------|---------------------|-----------|
| TOLERANCES UNLESS OTHERWISE SPECIFIED      |  | <br><b>MELTRIC</b><br>A COMPANY OF MARÉCHAL ELECTRIC |          | DRAWING TITLE:      |           |
| MACHINED SURFACES $\sqrt[125]{\text{MAX}}$ | <b>ENGLISH</b><br>$0.X \pm 0.05$<br>$0.XX \pm 0.01$<br>$0.XXX \pm 0.005$ |  |          | DRAWN               | APPROVED  |
| GROUND SURFACES $\sqrt[32]{\text{MAX}}$    |  | DATE:  |          | SCALE               | MATERIAL: |
| ANGLE TOLERANCE $\pm 1^\circ$              | DIMENSIONS SHOWN IN OVALS ARE INSPECTION DIMENSIONS.                     | PART NUMBER  |          | PAINTED METAL, GRAY |           |
| REMOVE BURRS & SHARP EDGES TO .015 MAX.    |  | SHEET:   | REVISION |                     |           |
|  |  | 1 OF 1   | 5T7M0-68 |                     |           |