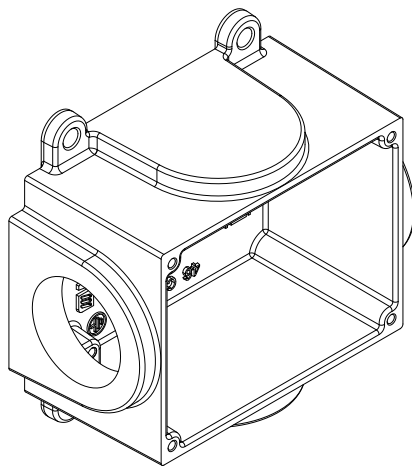
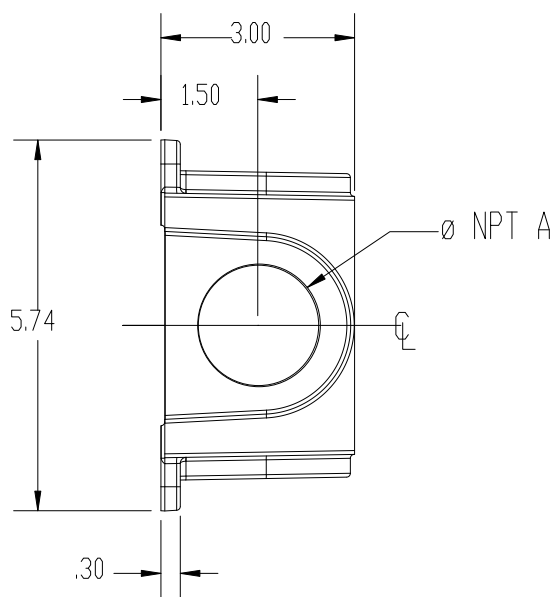
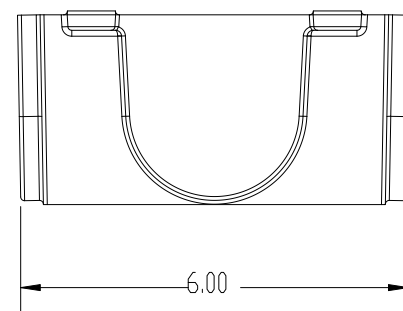


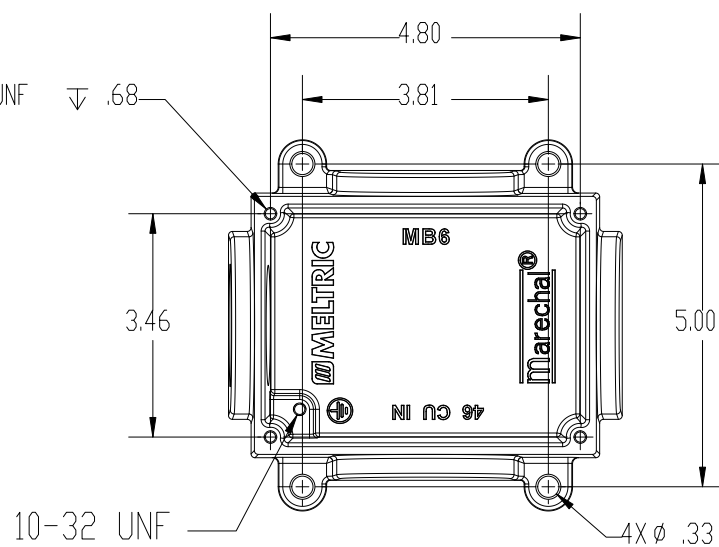
This drawing is the property of MELTRIC Corporation, Franklin (Milwaukee), Wisconsin, USA. Any unauthorized copying of this drawing by any means, or disclosure of its contents to any person not authorized by MELTRIC Corporation or its agents to receive it, is strictly prohibited.



PART #	NPT SIZE A
7T4F0N10	1" NPT
7T4F0N12	1-1/4" NPT
7T4F0N15	1-1/2" NPT
7T4F0N20	2" NPT



4X 10-32 UNF ∇ .68



TOLERANCES UNLESS OTHERWISE SPECIFIED MACHINED SURFACES ∇ .005 GROUND SURFACES ∇ .010 ANGLE TOLERANCE $\pm 1^\circ$ REMOVE BURRS & SHARP EDGES TO .015 MAX.		ENGLISH 0.X ± 0.05 0.XX ± 0.01 0.XXX ± 0.005		 A COMPANY OF MARECHAL ELECTRIC	
DRAWN: _____ DATE: _____		APPROVED: _____ DATE: _____		DRAWING TITLE: METAL JUNCTION BOX	
SHEET: 1 OF 1		SCALE: NTS		MATERIAL: PAINTED METAL	
DIMENSIONS SHOWN IN OVALS ARE INSPECTION DIMENSIONS.				PART NUMBER: 7T4F0Nxx	
				REVISION:	