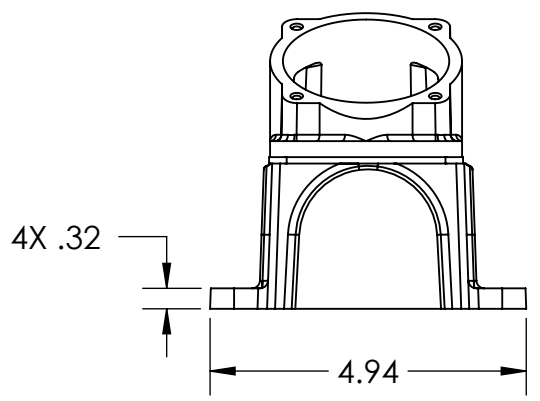
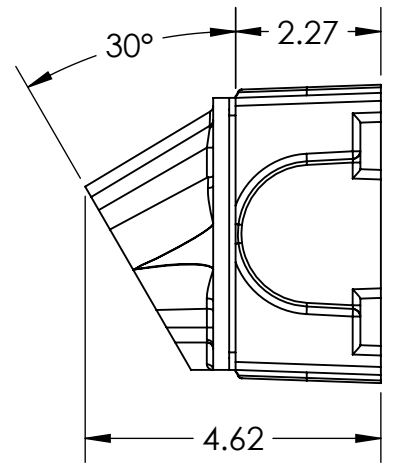
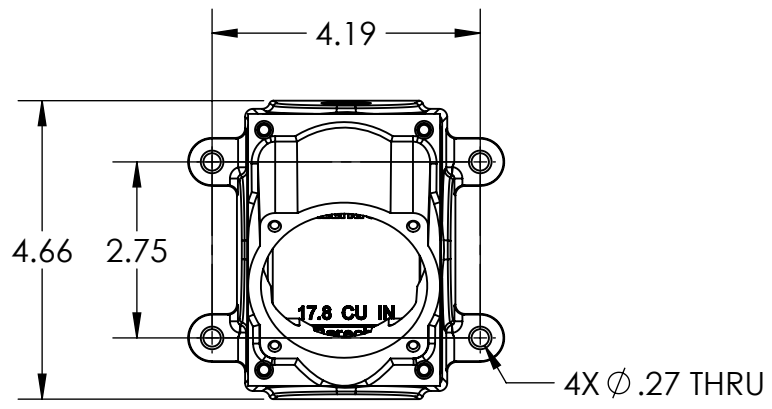
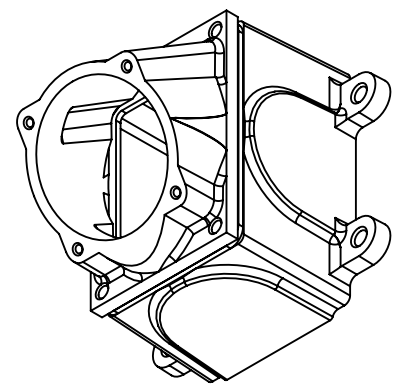
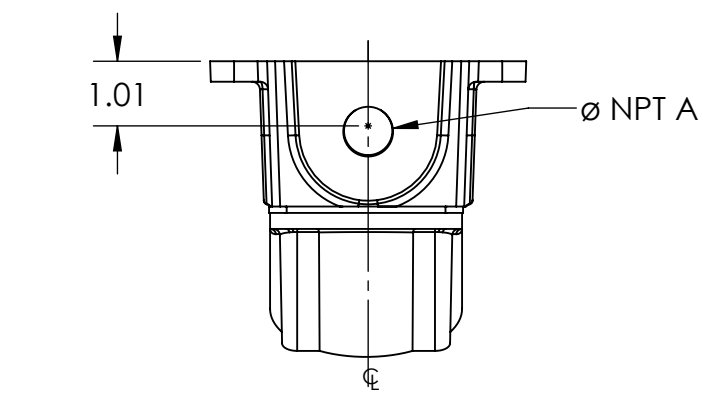


This drawing is the property of MELTRIC Corporation, Franklin (Milwaukee), Wisconsin, USA. Any unauthorized copying of this drawing by any means, ENG/RD/06 REV: 20 ISSUED DATE: 11/15/11 or disclosure of its contents to any person not authorized by MELTRIC Corporation or its agents to receive it, is strictly prohibited.



PART NUMBER	NPT "A"
793C3N05	1/2" NPT
793C3N07	3/4" NPT
793C3N10	1" NPT
793C3N12	1-1/4" NPT

TOLERANCES UNLESS OTHERWISE SPECIFIED

MACHINED SURFACES #error: broken link  
GROUND SURFACES #error: broken link  
ANGLE TOLERANCE ±1°  
REMOVE BURRS & SHARP EDGES TO .015 MAX.

ENGLISH

0.X ±0.05  
0.XX ±0.01  
0.XXX ±0.005

DIMENSIONS SHOWN IN OVALS ARE INSPECTION DIMENSIONS.

**MELTRIC**  
A COMPANY OF MARÉCHAL ÉLECTRIC

DRAWN	APPROVED	DRAWING TITLE:	
DATE:		SCALE	MATERIAL:
SHEET:		PART NUMBER	
1 OF 1		793C3Nxx	
			REVISION