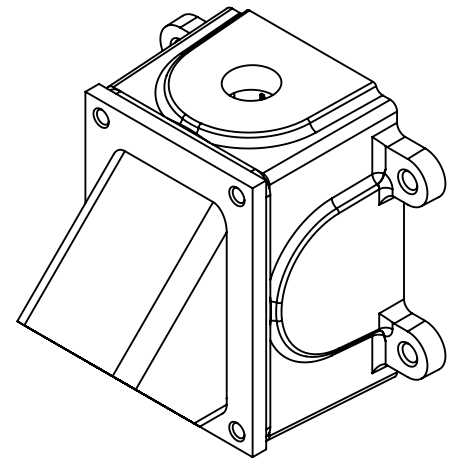
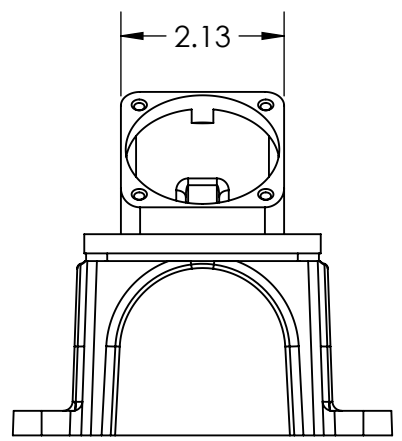
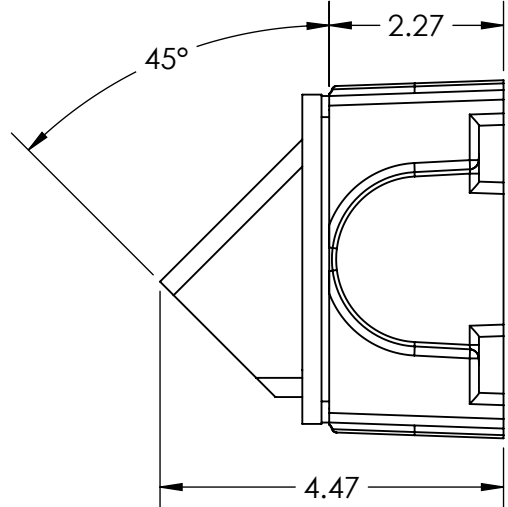
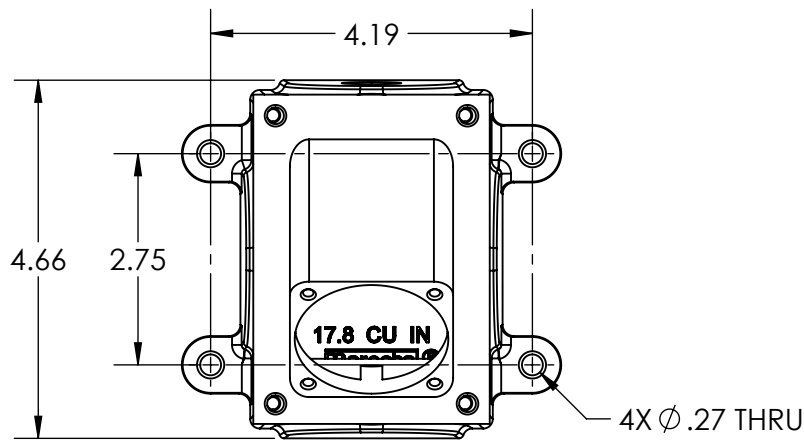
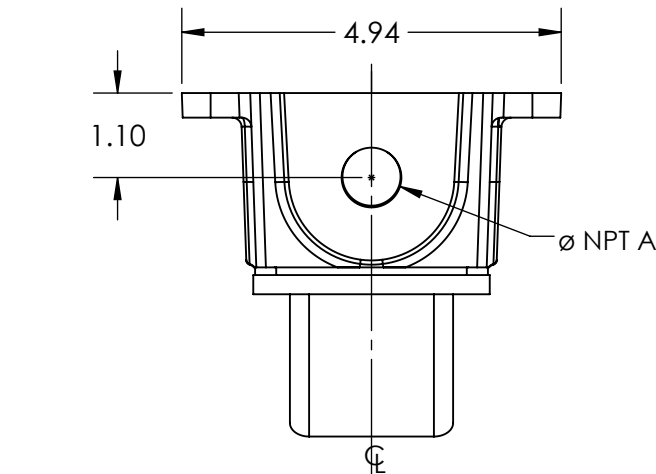


This drawing is the property of MELTRIC Corporation, Franklin (Milwaukee) Wisconsin, USA. Any unauthorized copying of this drawing by any means, ENG/RD/06 REV: 20 ISSUED DATE: 1/15/11 or disclosure of its contents to any person not authorized by MELTRIC Corporation or its agents to receive it, is strictly prohibited.



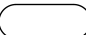
PART NUMBER	NPT "A"
791C4N05	1/2" NPT
791C4N07	3/4" NPT
791C4N10	1" NPT
791C4N12	1 1/4" NPT

TOLERANCES UNLESS OTHERWISE SPECIFIED

MACHINED SURFACES #error: broken link
GROUND SURFACES #error: broken link
ANGLE TOLERANCE ±1°
REMOVE BURRS & SHARP EDGES TO .015 MAX.

ENGLISH

0.X ±0.05
0.XX ±0.01
0.XXX ±0.005

 DIMENSIONS SHOWN IN OVALS ARE INSPECTION DIMENSIONS.

MELTRIC
A COMPANY OF MARÉCHAL ÉLECTRIC

DRAWN: _____ APPROVED: _____ DRAWING TITLE: METAL BOX/ANGLE COMBO

DATE: _____ SCALE: NTS MATERIAL: PAINTED METAL

SHEET: 1 OF 1 PART NUMBER: 791C4Nxx REVISION: _____