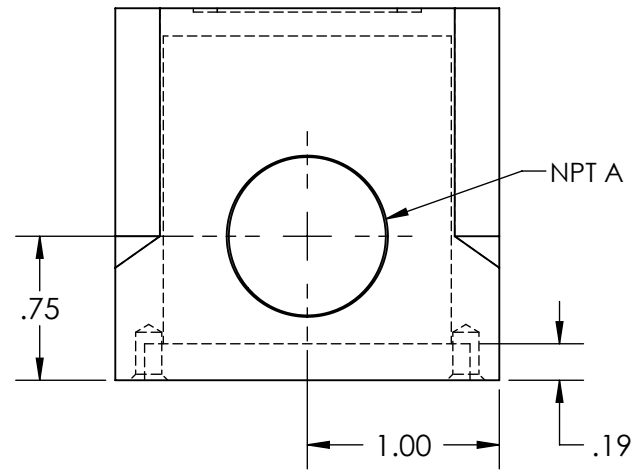
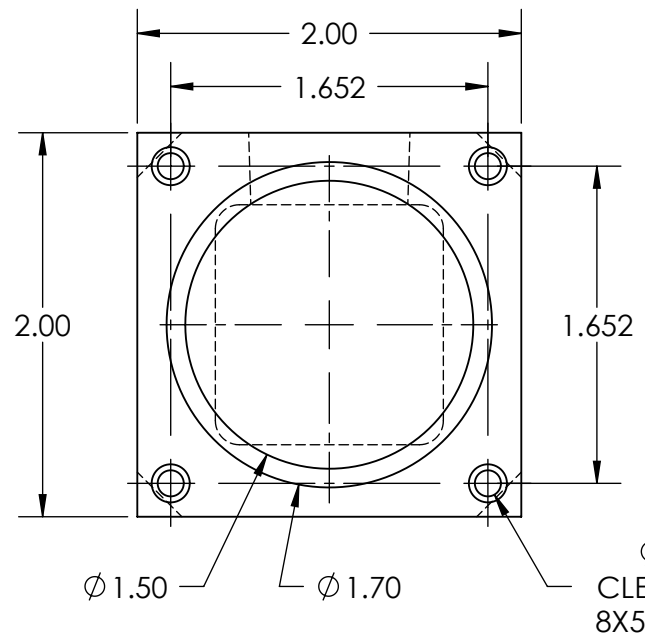
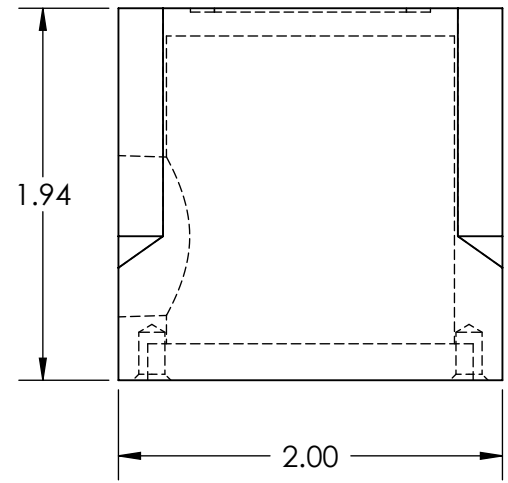


This drawing is the property of MELTRIC Corporation, Franklin (Milwaukee), Wisconsin, USA. Any unauthorized copying of this drawing by any means, ENG/RD/06 REV: 20 ISSUED DATE: 11/15/11 or disclosure of its contents to any person not authorized by MELTRIC Corporation or its agents to receive it, is strictly prohibited.

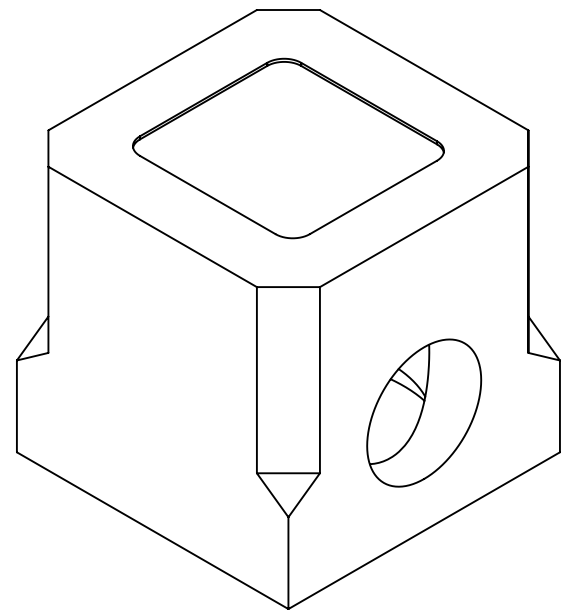
G F E D C B A

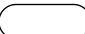



PART #	NPT SIZE "A"
751P9N05	1/2" NPT
751P9N07	3/4" NPT
751P9N10	1" NPT



Ø .14 ∇ .25
CLEARANCE FOR
8X5/8 HARDWARE



TOLERANCES UNLESS OTHERWISE SPECIFIED	
MACHINED SURFACES #error: broken link	ENGLISH 0.X \pm 0.05 0.XX \pm 0.01 0.XXX \pm 0.005
GROUND SURFACES #error: broken link	
ANGLE TOLERANCE \pm 1°	
REMOVE BURRS & SHARP EDGES TO .015 MAX.	
 DIMENSIONS SHOWN IN OVALS ARE INSPECTION DIMENSIONS.	

 A COMPANY OF MARÉCHAL ELECTRIC		DRAWING TITLE:	
		90° NYLON HANDLE WITH THREADED OPENING	
DRAWN	APPROVED	SCALE	MATERIAL:
DATE:		NTS	NYLON
SHEET:	PART NUMBER		REVISION
1 OF 1	751P9Nxx		