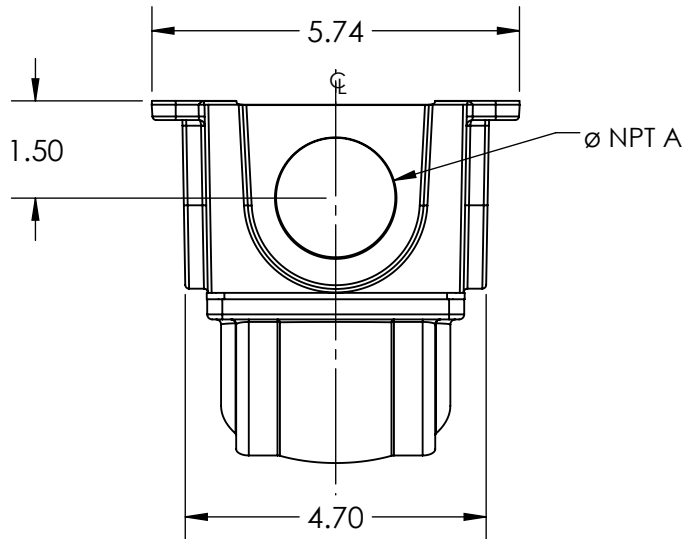
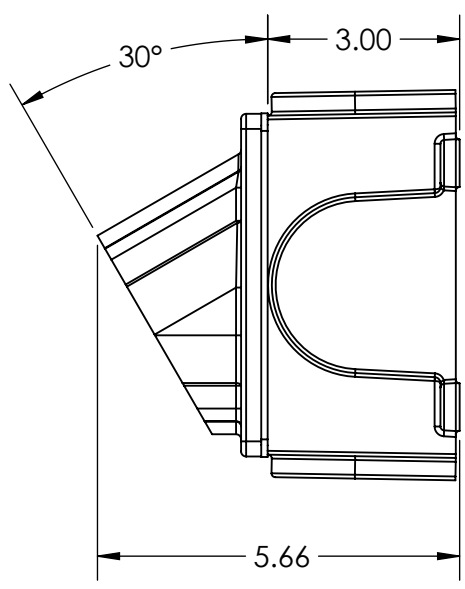
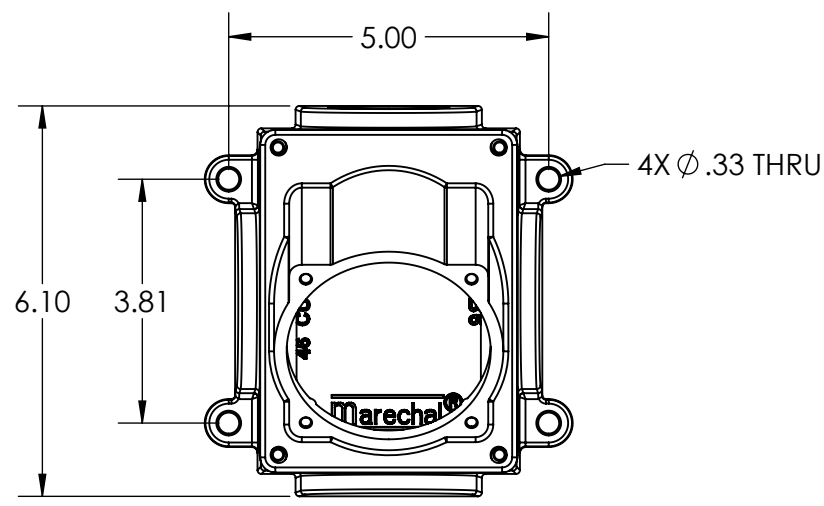
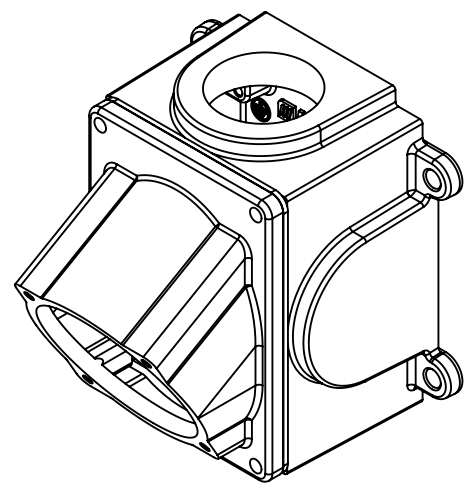


This drawing is the property of MELTRIC Corporation, Franklin (Milwaukee), Wisconsin, USA. Any unauthorized copying of this drawing by any means, ENG/RD/06 REV: 21 ISSUED DATE: 10/7/16 or disclosure of its contents to any person not authorized by MELTRIC Corporation or its agents to receive it, is strictly prohibited.



PART NUMBER	NPT "A"
714C3N10	1" NPT
714C3N12	1-1/4" NPT
714C3N15	1-1/2" NPT
714C3N20	2" NPT



TOLERANCES UNLESS OTHERWISE SPECIFIED

MACHINED SURFACES $\sqrt[125]{\text{MAX}}$	ENGLISH 0.X ±0.05 0.XX ±0.01 0.XXX ±0.005
GROUND SURFACES $\sqrt[32]{\text{MAX}}$	
ANGLE TOLERANCE ±1°	
REMOVE BURRS & SHARP EDGES TO .015 MAX.	
DIMENSIONS SHOWN IN OVALS ARE INSPECTION DIMENSIONS.	

MELTRIC A COMPANY OF MARÉCHAL ÉLECTRIC		DRAWING TITLE:	
DRAWN	APPROVED	JUNCTION BOX/ANGLE COMBO	
DATE:	SCALE	MATERIAL:	
	NTS	PAINTED METAL & BLUE POLY	
SHEET:	PART NUMBER		REVISION
1 OF 1	714C3Nxx		