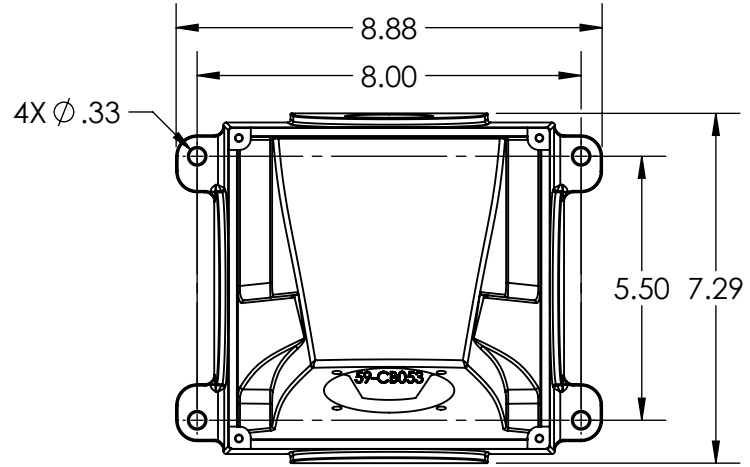
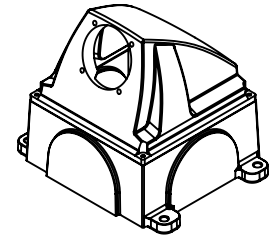
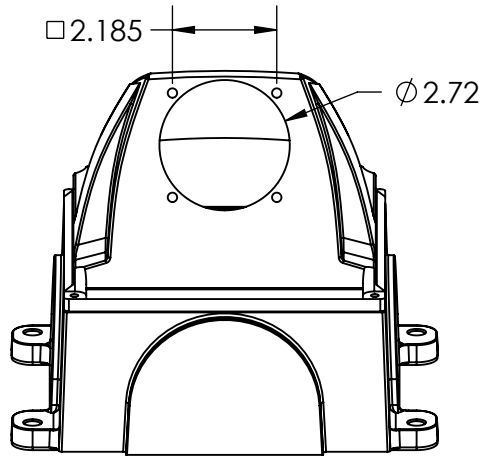
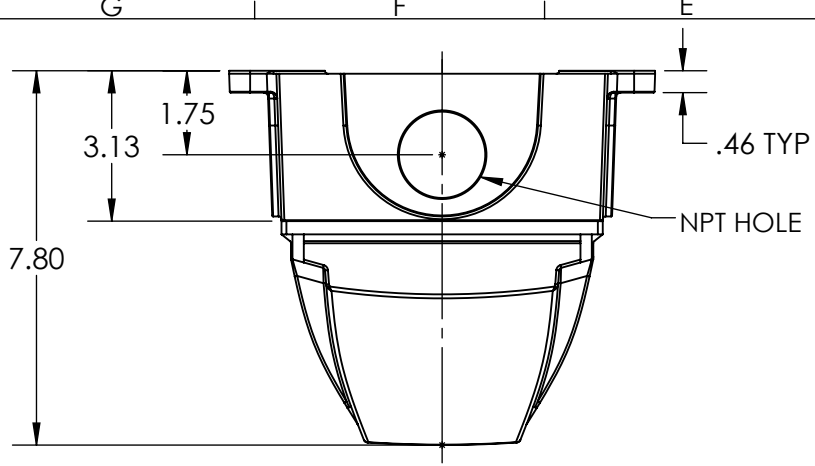
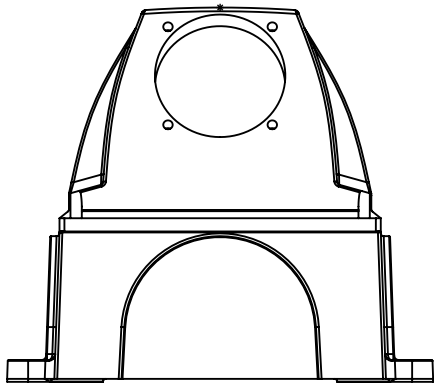
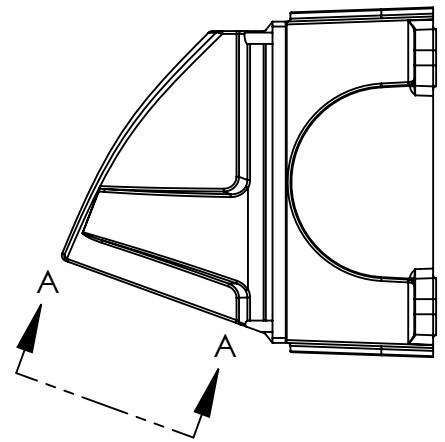


This drawing is the property of MELTRIC Corporation, Franklin (Milwaukee), Wisconsin, USA. Any unauthorized copying of this drawing by any means, ENG/RD/06 REV: 20 ISSUED DATE: 1/15/11 or disclosure of its contents to any person not authorized by MELTRIC Corporation or its agents to receive it, is strictly prohibited.



VIEW A-A  
70°



PART NUMBER	NPT SIZE
713C7N05	1/2" NPT
713C7N07	3/4" NPT
713C7N10	1" NPT
713C7N12	1-1/4" NPT
713C7N15	1-1/2" NPT

TOLERANCES UNLESS OTHERWISE SPECIFIED	
MACHINED SURFACES $\sqrt[125]{\text{MAX}}$	ENGLISH
GROUND SURFACES $\sqrt[32]{\text{MAX}}$	
ANGLE TOLERANCE $\pm 1^\circ$	0.X $\pm 0.05$
REMOVE BURRS & SHARP EDGES TO .015 MAX.	0.XX $\pm 0.01$
DIMENSIONS SHOWN IN OVALS ARE INSPECTION DIMENSIONS.	0.XXX $\pm 0.005$

MELTRIC		DRAWING TITLE:	
A COMPANY OF MARÉCHAL ÉLECTRIC		POLY 70°, ALUMINUM WALL BOX	
DRAWN	APPROVED	SCALE	MATERIAL:
DATE:		NTS	METAL BOX WITH POLY ANGLE
SHEET:		PART NUMBER	REVISION
1 OF 1		713C7Nxx	