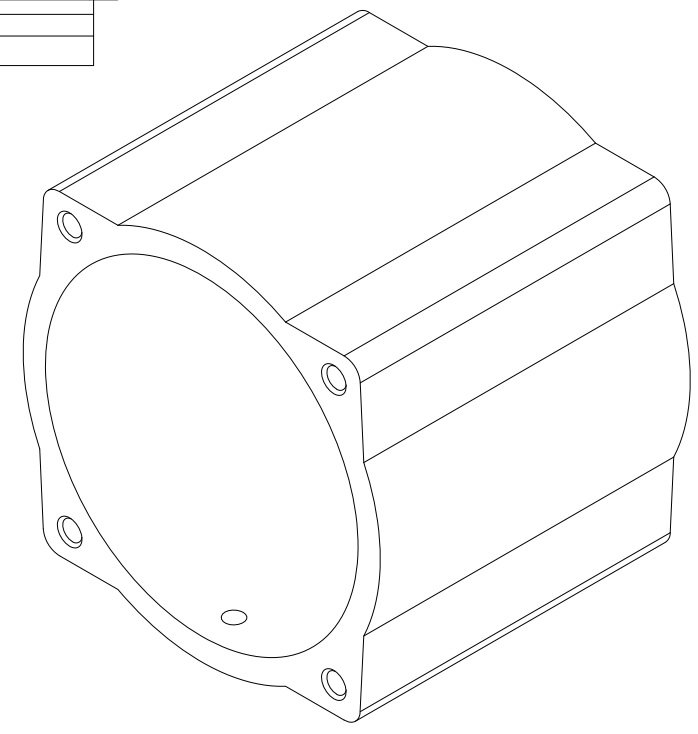
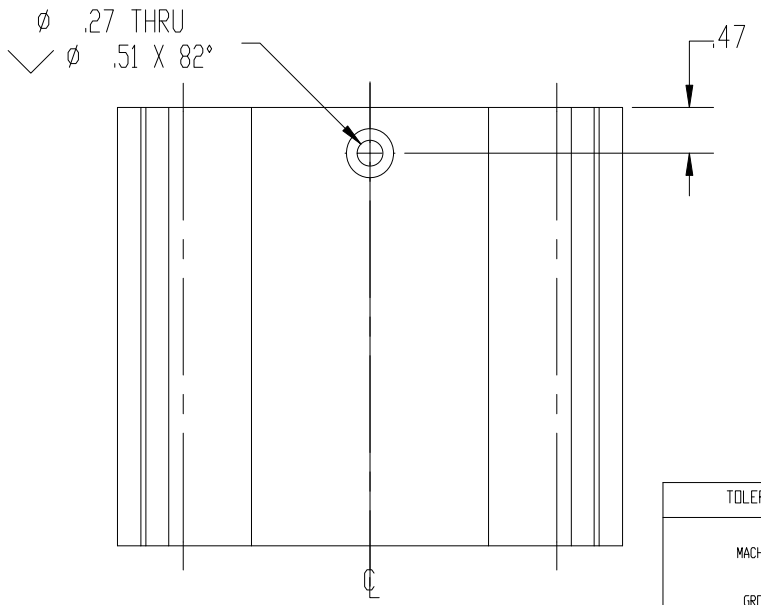
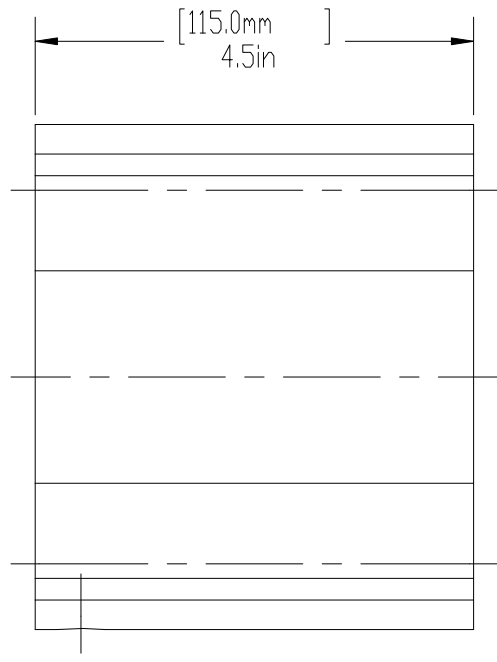
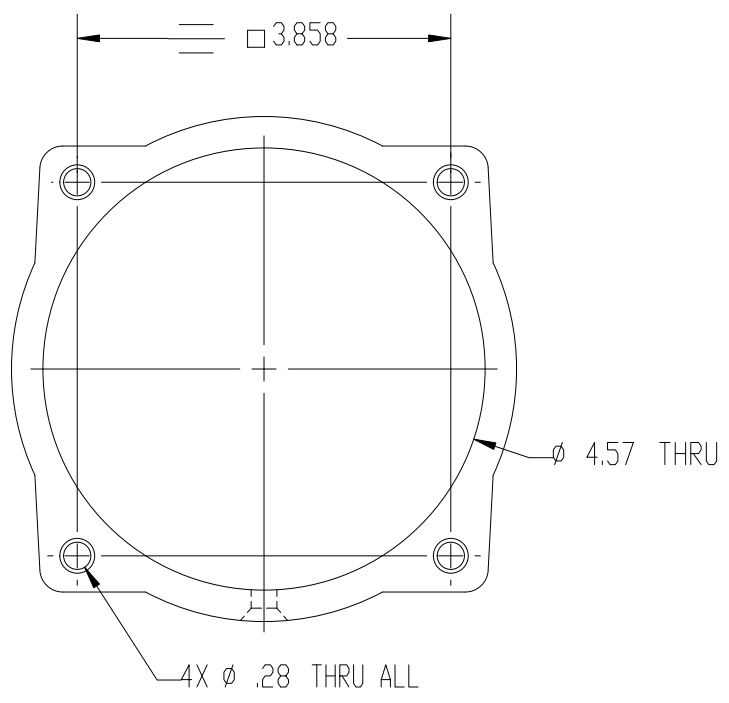


This drawing is the property of MELTRIC Corporation, Franklin (Milwaukee), Wisconsin, USA. Any unauthorized copying of this drawing by any means, or disclosure of its contents to any person not authorized by MELTRIC Corporation or its agents to receive it, is strictly prohibited.



TOLERANCES UNLESS OTHERWISE SPECIFIED		 A COMPANY OF MARÉCHAL ÉLECTRIQUE	
MACHINED SURFACES	$\sqrt[125]{\text{MAX}}$		
GROUND SURFACES	$\sqrt[32]{\text{MAX}}$	0.X ± 0.05	DRAWN
ANGLE TOLERANCE	$\pm 1^\circ$	0.XX ± 0.01	APPROVED
REMOVE BURRS & SHARP EDGES TO .015 MAX.		0.XXX ± 0.005	DATE:
DIMENSIONS SHOWN IN OVALS ARE INSPECTION DIMENSIONS.		DRAWING TITLE: SPACER - 115mm	
		SCALE	MATERIAL:
		NTS	PAINTED METAL, BLACK
		SHEET:	PART NUMBER
		1 OF 1	5K7M0-115
			REVISION