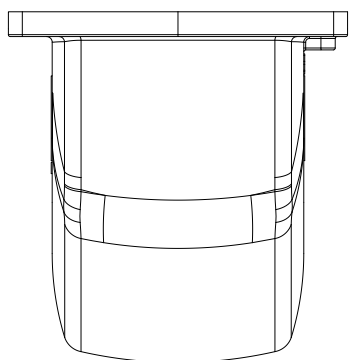
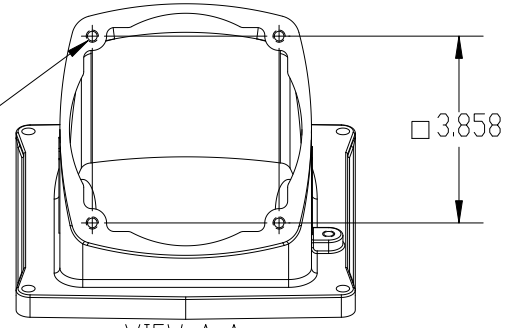


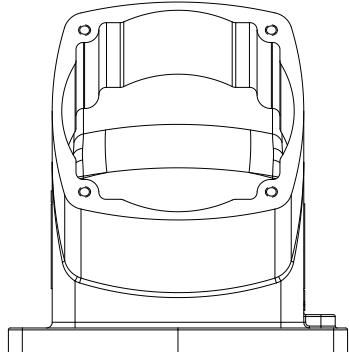
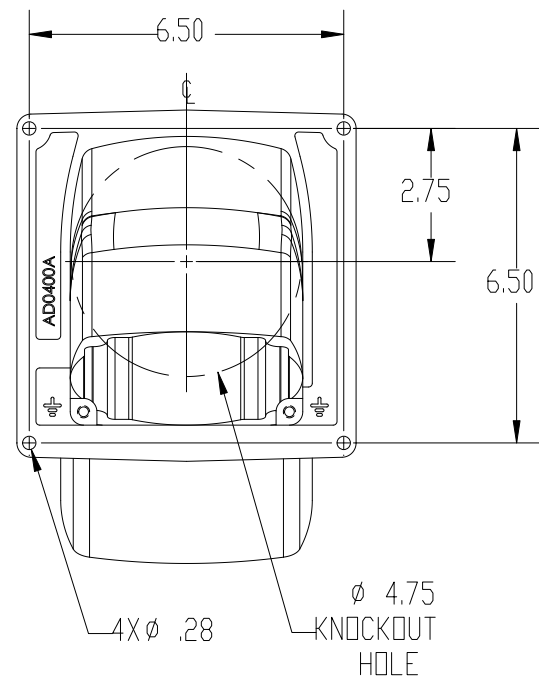
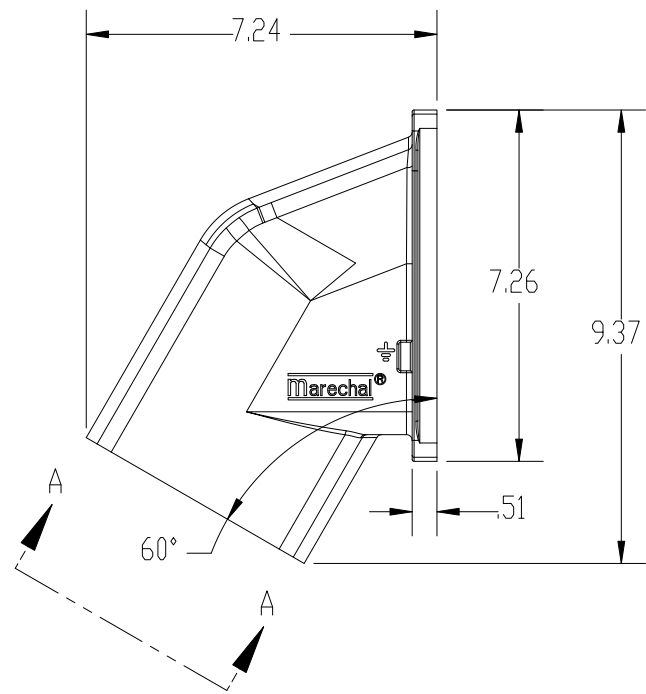
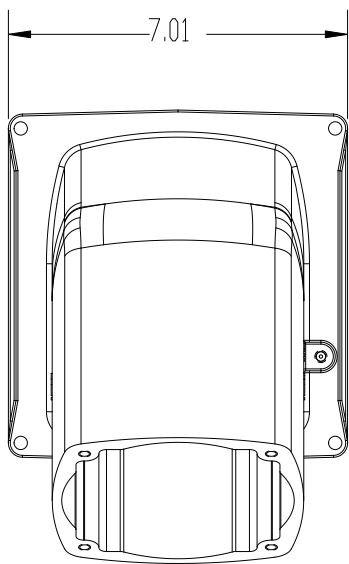
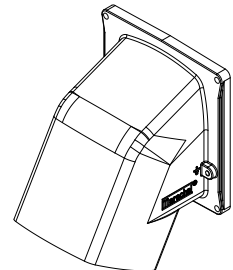
This drawing is the property of MELTRIC Corporation, Franklin (Milwaukee), Wisconsin, USA. Any unauthorized copying of this drawing by any means, or disclosure of its contents to any person not authorized by MELTRIC Corporation or its agents to receive it, is strictly prohibited.



DEVICE AND
 GROUND
 SCREWS ARE
 TAPPED 1/4-20



VIEW A-A
 60°



TOLERANCES UNLESS OTHERWISE SPECIFIED MACHINED SURFACES $\sqrt{125}$ MAX GROUND SURFACES $\sqrt{32}$ MAX ANGLE TOLERANCE $\pm 1^\circ$ REMOVE BURRS & SHARP EDGES TO .015 MAX.		ENGLISH 0.X ± 0.05 0.XX ± 0.01 0.XXX ± 0.005			
DIMENSIONS SHOWN IN OVALS ARE INSPECTION DIMENSIONS.		DATE:		DRAWING TITLE: 60° METAL ANGLE	
SHEET: 1 OF 1		SCALE: NTS		MATERIAL: METAL, PAINTED BLUE	
		PART NUMBER: 597M6		REVISION	