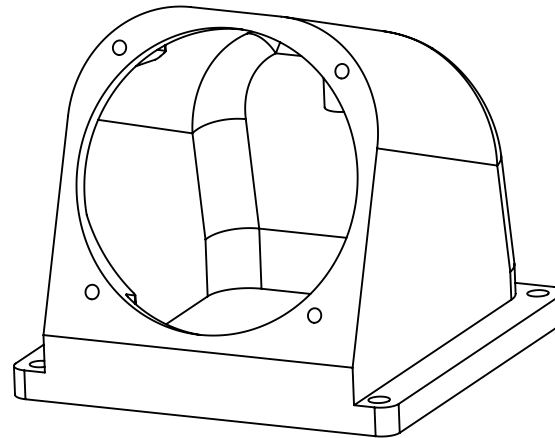
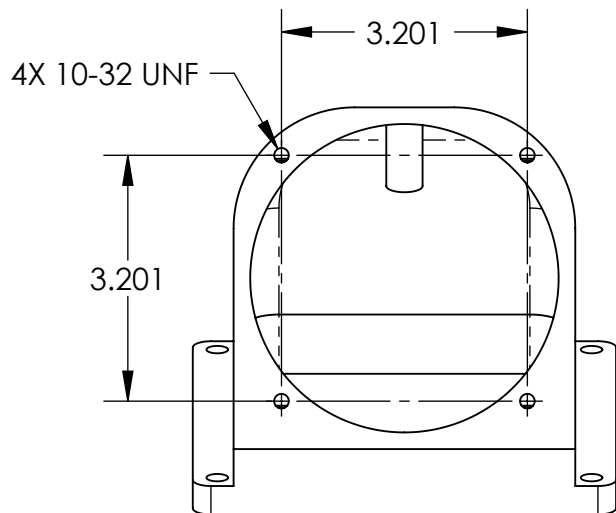
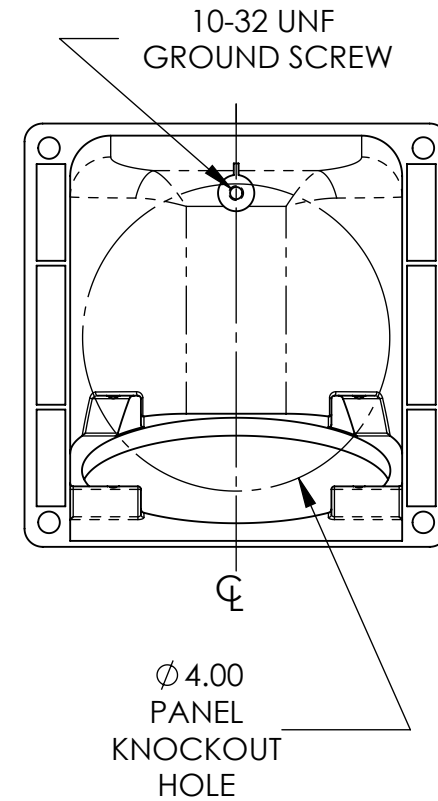
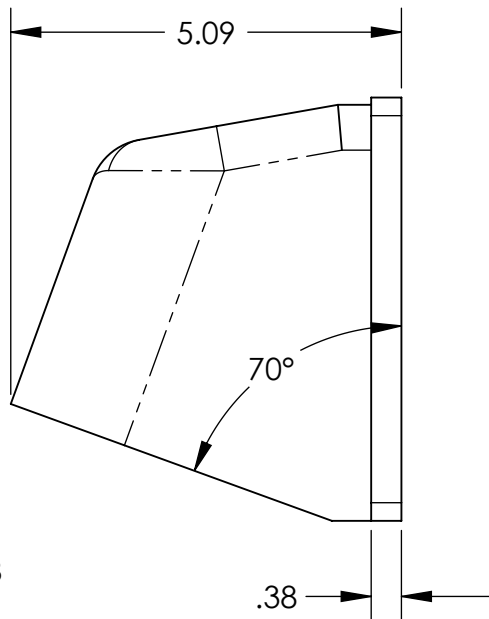
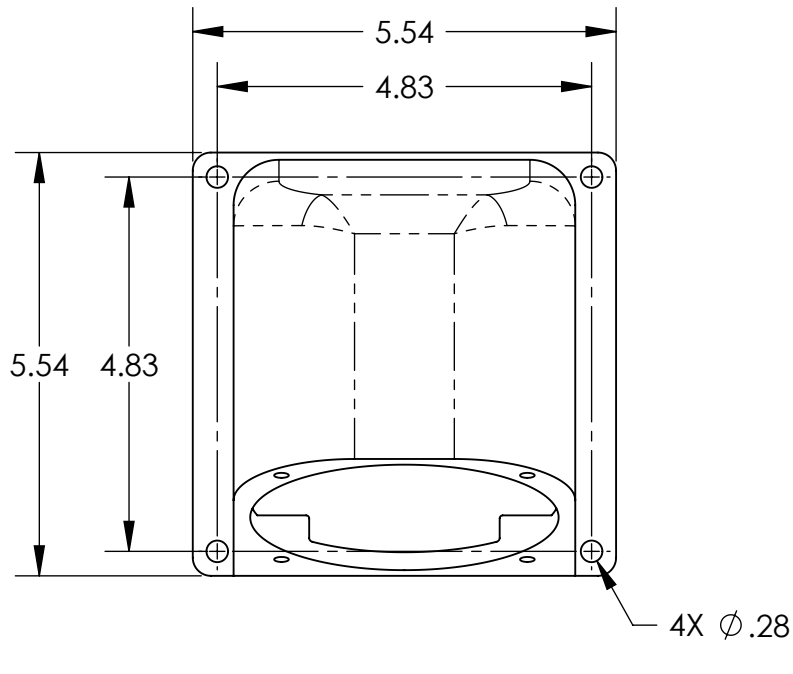

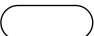


This drawing is the property of MELTRIC Corporation, Franklin (Milwaukee) Wisconsin, USA. Any unauthorized copying of this drawing by any means, ENG/RD/06 REV: 20 ISSUED DATE: 1/15/11 or disclosure of its contents to any person not authorized by MELTRIC Corporation or its agents to receive it, is strictly prohibited.



TOLERANCES UNLESS OTHERWISE SPECIFIED		 A COMPANY OF MARECHAL ELECTRIC	
MACHINED SURFACES #error: broken link	ENGLISH		
GROUND SURFACES #error: broken link	0.X \pm 0.05	DRAWING TITLE:	
ANGLE TOLERANCE \pm 1°	0.XX \pm 0.01	METAL 70° ANGLE ADAPTER	
REMOVE BURRS & SHARP EDGES TO .015 MAX.	0.XXX \pm 0.005	DATE:	MATERIAL:
 DIMENSIONS SHOWN IN OVALS ARE INSPECTION DIMENSIONS.		SCALE	PART NUMBER
		1 OF 1	595M7
			REVISION