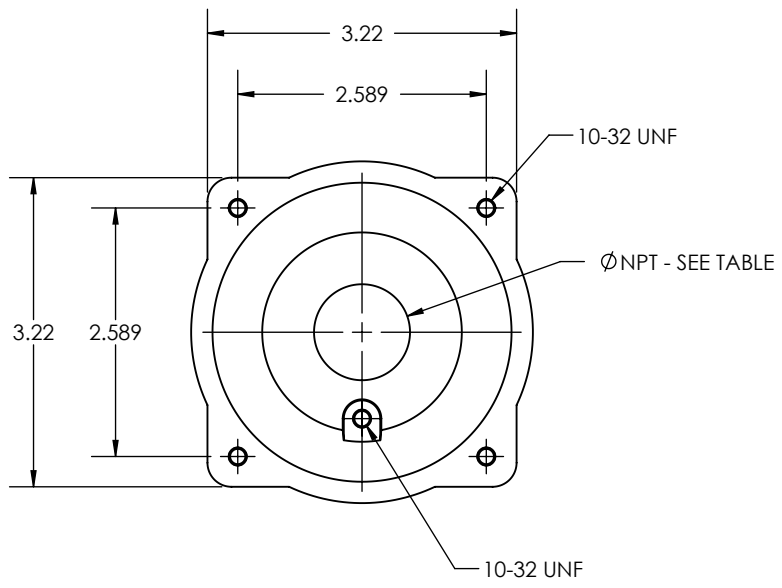
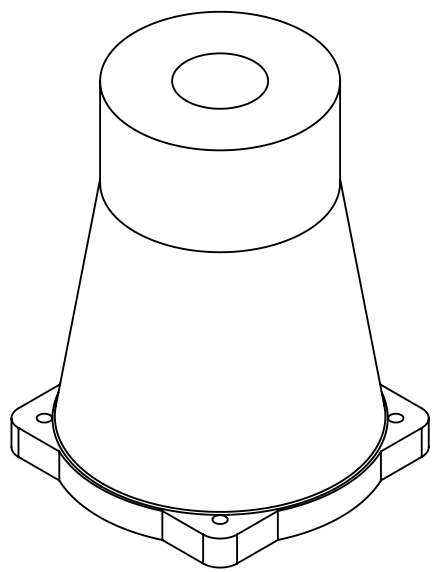
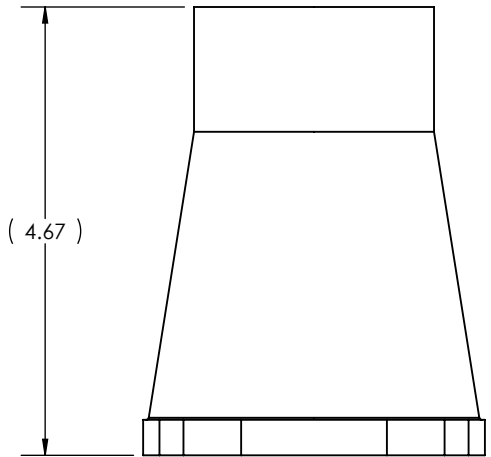


This drawing is the property of MELTRIC Corporation, Franklin (Milwaukee) Wisconsin, USA. Any unauthorized copying of this drawing by any means, ENG/RD/06 REV: 20 ISSUED DATE: 1/15/11 or disclosure of its contents to any person not authorized by MELTRIC Corporation or its agents to receive it, is strictly prohibited.



PART NUMBER	THREAD SIZE
594PON05	1/2" NPT
594PON07	3/4" NPT
594PON10	1" NPT
594PON12	1 1/4" NPT
594PON15	1 1/2" NPT

TOLERANCES UNLESS OTHERWISE SPECIFIED

<p>MACHINED SURFACES $\sqrt[125]{\text{MAX}}$</p> <p>GROUND SURFACES $\sqrt[32]{\text{MAX}}$</p> <p>ANGLE TOLERANCE $\pm 1^\circ$</p> <p>REMOVE BURRS & SHARP EDGES TO .015 MAX.</p> <p> DIMENSIONS SHOWN IN OVALS ARE INSPECTION DIMENSIONS.</p>	<p>ENGLISH</p> <p>0.X ± 0.05</p> <p>0.XX ± 0.01</p> <p>0.XXX ± 0.005</p>
----------------------------------------------------------------------------------------------------------------------------------------------------------------------------------------------------------------------------------------------------------------------------------------	---------------------------------------------------------------------------------------------------------------------------------------------------

MELTRIC
A COMPANY OF MARÉCHAL ELECTRIC

DRAWN	APPROVED	DRAWING TITLE:	
		METAL THREADED HANDLE	
DATE:	SCALE	MATERIAL:	
	NTS	PAINTED METAL	
SHEET:	PART NUMBER		REVISION
1 OF 1	594PONxx		