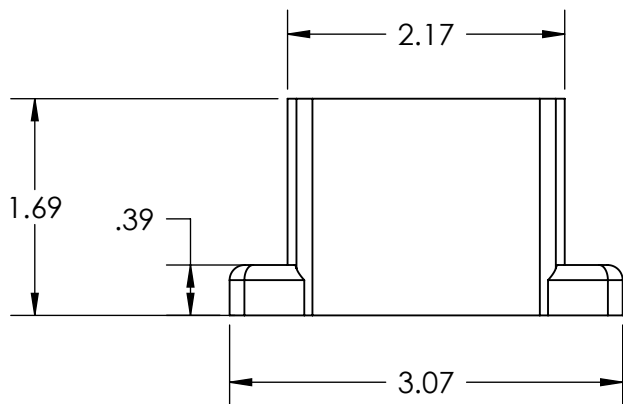
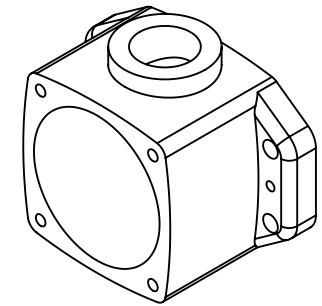
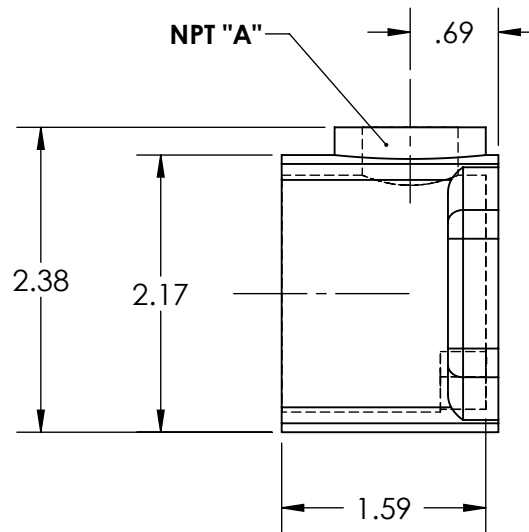
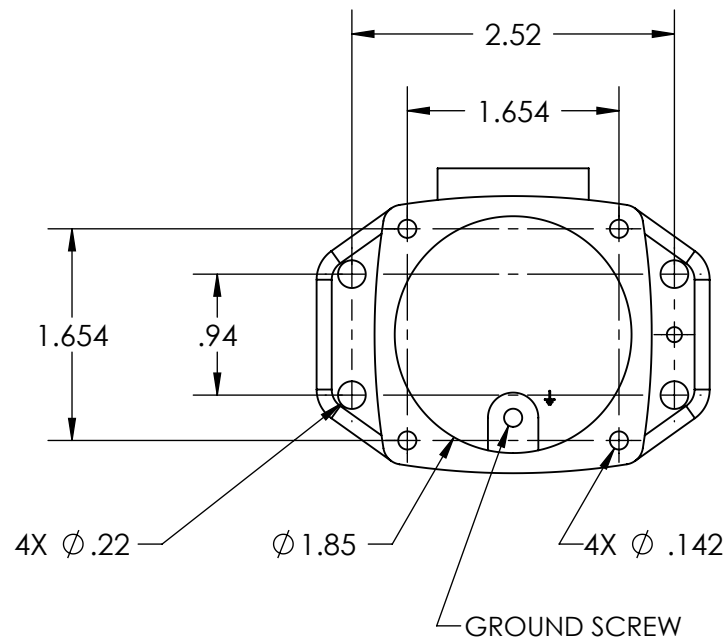

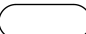


This drawing is the property of MELTRIC Corporation, Franklin (Milwaukee) Wisconsin, USA. Any unauthorized copying of this drawing by any means, ENG/RD/06 REV: 20 ISSUED DATE: 1/15/11 or disclosure of its contents to any person not authorized by MELTRIC Corporation or its agents to receive it, is strictly prohibited.



PART #	NPT "A"
591B0N05	1/2" NPT
591B0N07	3/4" NPT

TOLERANCES UNLESS OTHERWISE SPECIFIED		 A COMPANY OF MARÉCHAL ÉLECTRIC	
MACHINED SURFACES #error: broken link GROUND SURFACES #error: broken link ANGLE TOLERANCE $\pm 1^\circ$ REMOVE BURRS & SHARP EDGES TO .015 MAX.			
ENGLISH 0.X ± 0.05 0.XX ± 0.01 0.XXX ± 0.005		DRAWN: _____ DATE: _____	APPROVED: _____ SCALE: NTS MATERIAL: PAINTED METAL
 DIMENSIONS SHOWN IN OVALS ARE INSPECTION DIMENSIONS.		SHEET: 1 OF 1 PART NUMBER: 591B0Nxx	REVISION: _____