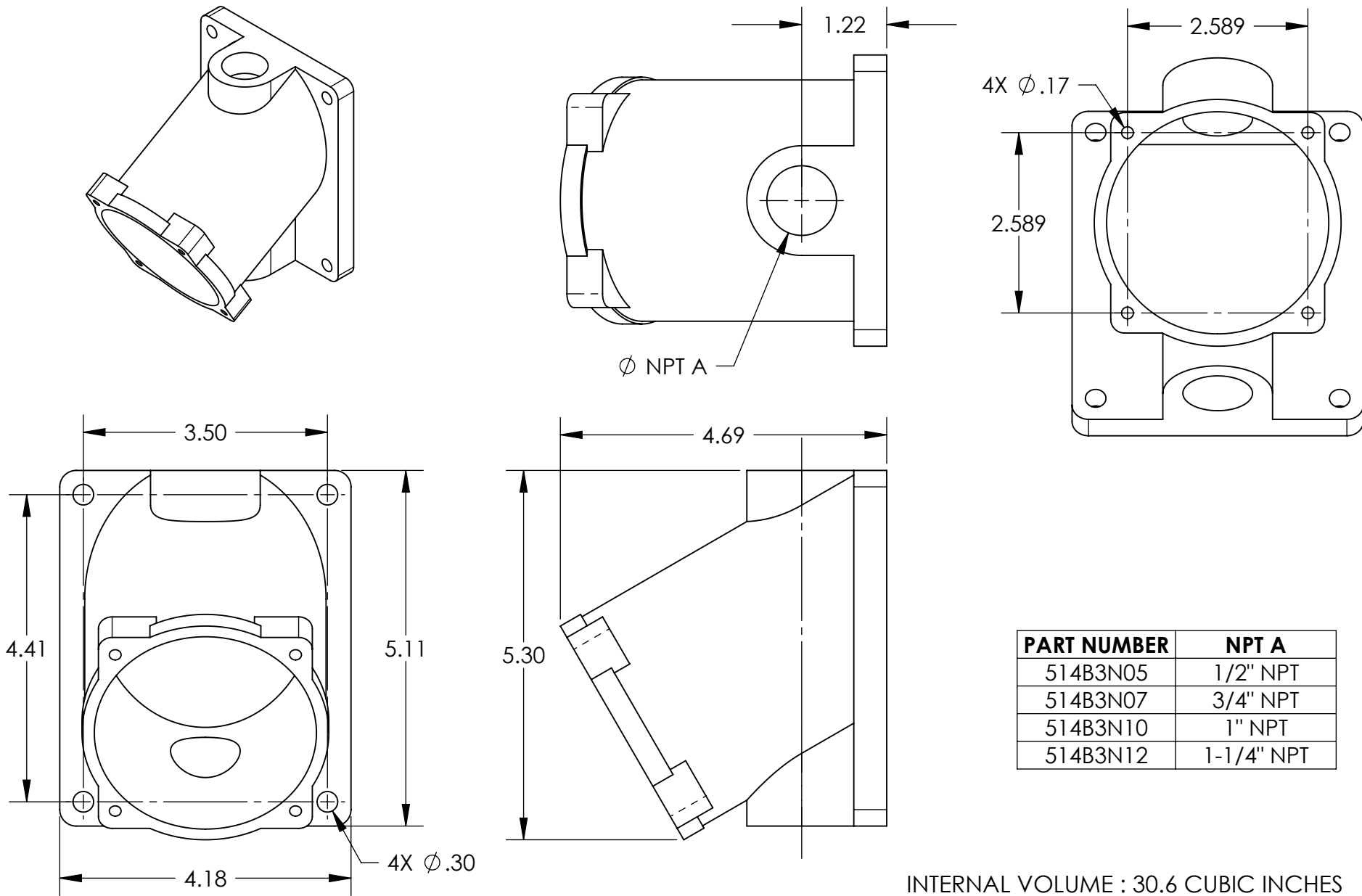


This drawing is the property of MELTRIC Corporation, Franklin (Milwaukee), Wisconsin, USA. Any unauthorized copying of this drawing by any means, ENG/RD/06 REV: 20 ISSUED DATE: 11/15/11 or disclosure of its contents to any person not authorized by MELTRIC Corporation or its agents to receive it, is strictly prohibited.



INTERNAL VOLUME : 30.6 CUBIC INCHES

TOLERANCES UNLESS OTHERWISE SPECIFIED		 MELTRIC A COMPANY OF MARÉCHAL ÉLECTRIC	
MACHINED SURFACES #error: broken link GROUND SURFACES #error: broken link ANGLE TOLERANCE ±1° REMOVE BURRS & SHARP EDGES TO .015 MAX.			
ENGLISH 0.X ±0.05 0.XX ±0.01 0.XXX ±0.005		DRAWING TITLE: POLY CONDUIT ENTRY	
DIMENSIONS SHOWN IN OVALS ARE INSPECTION DIMENSIONS.		SHEET: 1 OF 1 PART NUMBER: 514B3Nxx REVISION: _____	