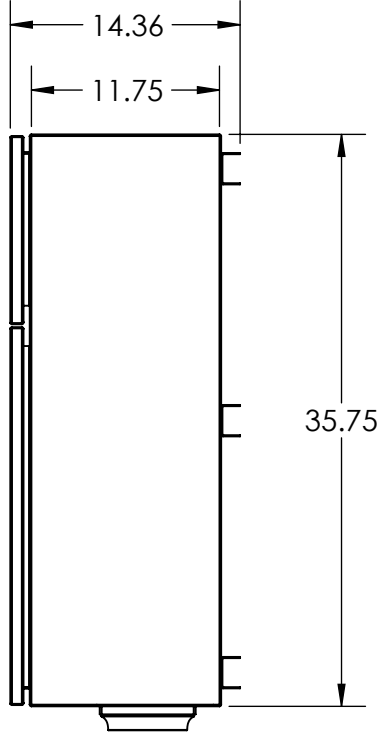
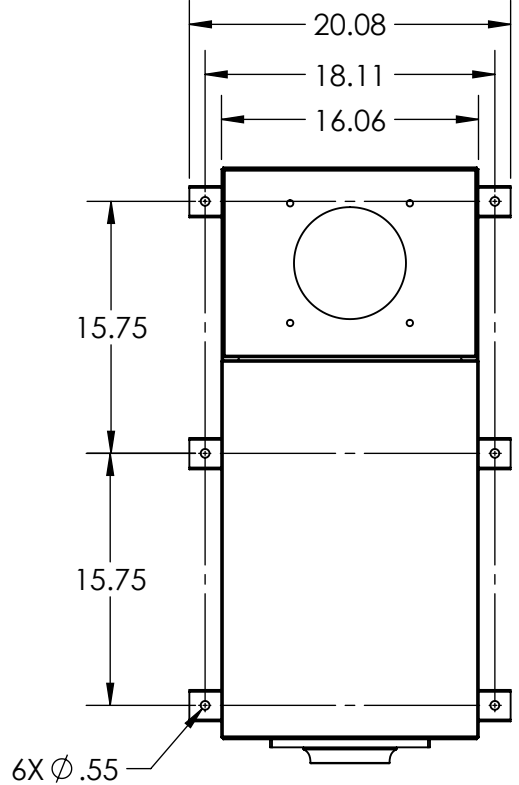
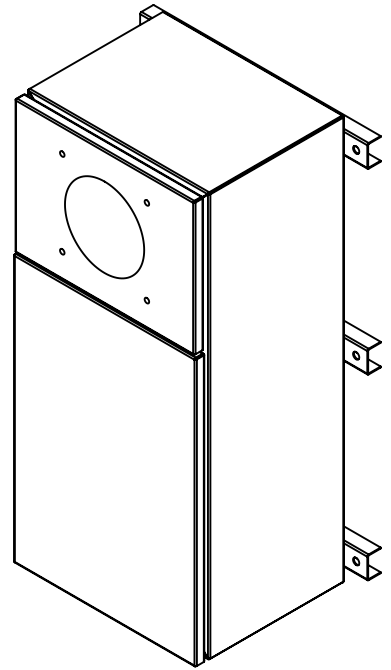


This drawing is the property of MELTRIC Corporation, Franklin (Milwaukee) Wisconsin, USA. Any unauthorized copying of this drawing by any means, ENG/RD/06 REV: 21 ISSUED DATE: 10/7/16 or disclosure of its contents to any person not authorized by MELTRIC Corporation or its agents to receive it, is strictly prohibited.

PART NUMBER	NPT SIZE
47-4A023-N520	2" NPT
47-4A023-N525	2.5" NPT
47-4A023-N530	3" NPT
47-4A023-N540	4" NPT



TOLERANCES UNLESS OTHERWISE SPECIFIED		 A COMPANY OF MARÉCHAL ELECTRIC		DRAWING TITLE:	
MACHINED SURFACES $\sqrt[125]{\text{MAX}}$ GROUND SURFACES $\sqrt[32]{\text{MAX}}$ ANGLE TOLERANCE $\pm 1^\circ$ REMOVE BURRS & SHARP EDGES TO .015 MAX. DIMENSIONS SHOWN IN OVALS ARE INSPECTION DIMENSIONS.	ENGLISH 0.X ± 0.05 0.XX ± 0.01 0.XXX ± 0.005			PFQ JUNCTION BOX, 36"x16"x12"	
			DATE:	SCALE	MATERIAL:
	SHEET:	1 OF 1	NTS	STAINLESS STEEL	
			PART NUMBER	REVISION	
			47-4A023-N5xx		