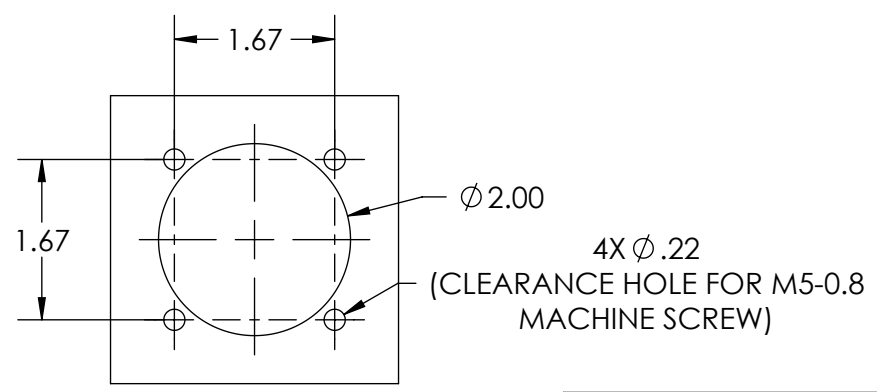
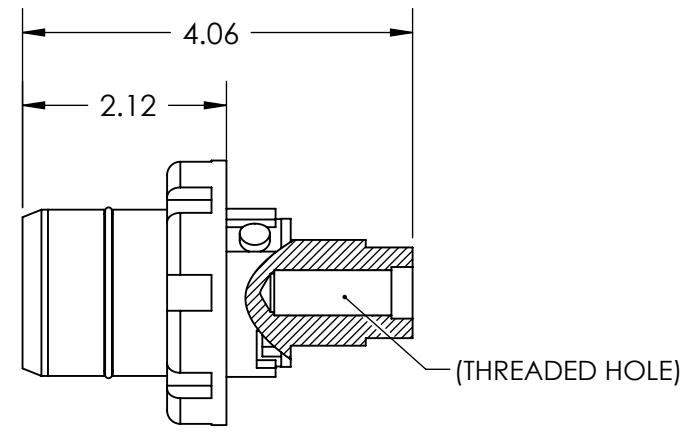
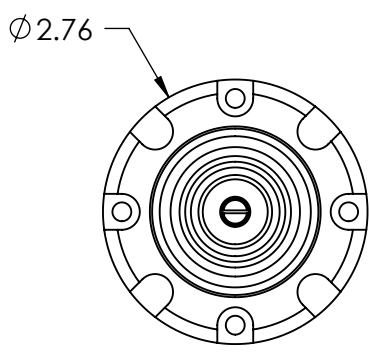
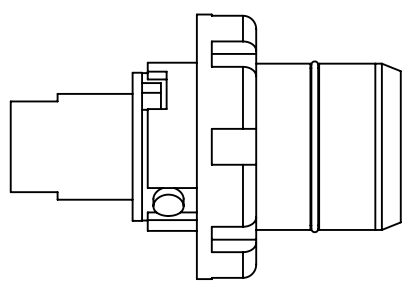
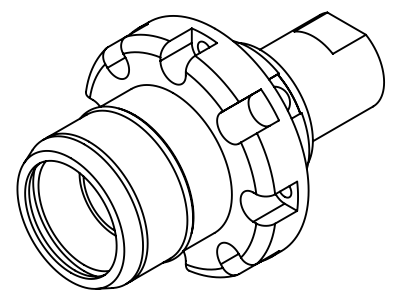
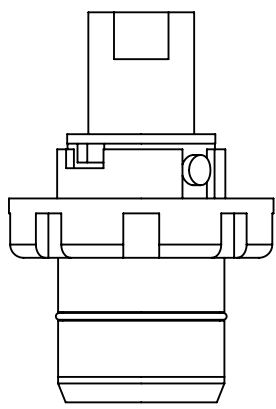


This drawing is the property of MELTRIC Corporation, Franklin (Milwaukee) Wisconsin, USA. Any unauthorized copying of this drawing by any means, ENG/RD/06 REV: 21 ISSUED DATE: 10/7/16 or disclosure of its contents to any person not authorized by MELTRIC Corporation or its agents to receive it, is strictly prohibited.


G F E D C B A

1
2
3
4
5
6



ENTRY HOLE PATTERN

PART NUMBER	POLARITY
45-48001-P80	L1
45-48002-P80	L2
45-48003-P80	L3
45-4800N-P80	NEUTRAL
45-4800T-P80	GROUND
45-4800P	POSITIVE
45-4800M	NEGATIVE

TOLERANCES UNLESS OTHERWISE SPECIFIED		 A COMPANY OF MARÉCHAL ÉLECTRIC	
MACHINED SURFACES $\sqrt[125]{\text{MAX}}$ GROUND SURFACES $\sqrt[32]{\text{MAX}}$ ANGLE TOLERANCE $\pm 1^\circ$ REMOVE BURRS & SHARP EDGES TO .015 MAX.	ENGLISH 0.X ± 0.05 0.XX ± 0.01 0.XXX ± 0.005		
DIMENSIONS SHOWN IN OVALS ARE INSPECTION DIMENSIONS.		SCALE: NTS MATERIAL: BLACK POLY CASING	PART NUMBER: 45-4800x REVISION: _____