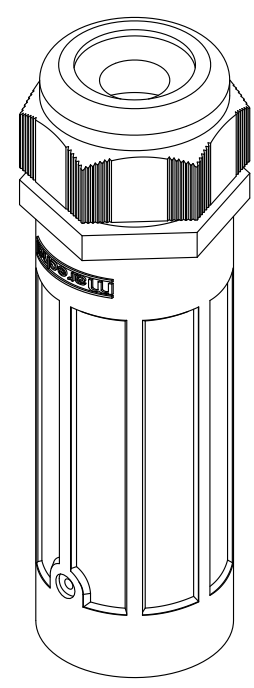
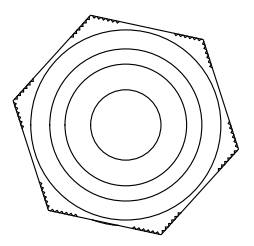
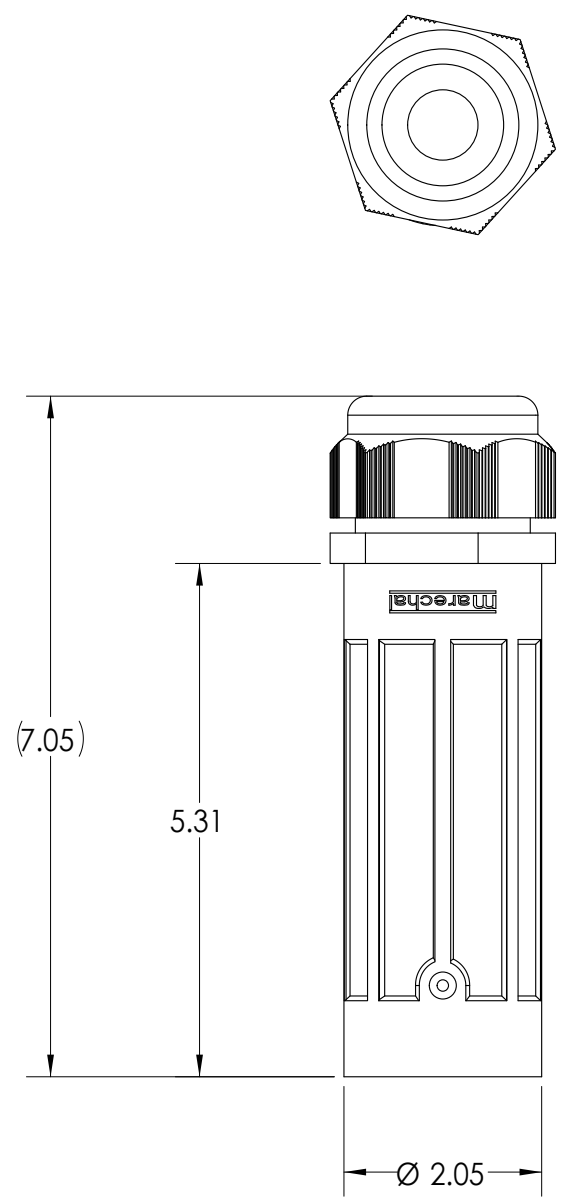


This drawing is the property of MELTRIC Corporation, Franklin (Milwaukee), Wisconsin, USA. Any unauthorized copying of this drawing by any means, or disclosure of its contents to any person not authorized by MELTRIC Corporation or its agents to receive it, is strictly prohibited.



PART NUMBER	CABLE OUTSIDE DIA.
45-3A753	.550-1.000"
45-3A783	.700-1.260"

TOLERANCES UNLESS OTHERWISE SPECIFIED		<b>MELTRIC</b> A COMPANY OF MARÉCHAL ELECTRIC											
<p>MACHINED SURFACES <math>\sqrt[125]{\text{MAX}}</math></p> <p>GROUND SURFACES <math>\sqrt[32]{\text{MAX}}</math></p> <p>ANGLE TOLERANCE <math>\pm 1^\circ</math></p> <p>REMOVE BURRS &amp; SHARP EDGES TO .015 MAX.</p> <p> DIMENSIONS SHOWN IN OVALS ARE INSPECTION DIMENSIONS.</p>	<p><b>ENGLISH</b></p> <p><b>0.X ±0.05</b></p> <p><b>0.XX ±0.01</b></p> <p><b>0.XXX ±0.005</b></p>	<table border="1" style="width: 100%; border-collapse: collapse;"> <tr> <td style="width: 50%;">DRAWN</td> <td style="width: 50%;">APPROVED</td> </tr> <tr> <td>DATE:</td> <td>SCALE</td> </tr> <tr> <td></td> <td style="text-align: center;">NTS</td> </tr> <tr> <td>SHEET:</td> <td style="text-align: center;">PART NUMBER</td> </tr> <tr> <td style="text-align: center;">1 OF 1</td> <td style="text-align: center;">45-3A7X3</td> </tr> </table>	DRAWN	APPROVED	DATE:	SCALE		NTS	SHEET:	PART NUMBER	1 OF 1	45-3A7X3	<p style="text-align: right;">DRAWING TITLE:</p> <p style="text-align: center;"><b>CS1000 HANDLE - NORMAL DUTY (100LB GRIP)</b></p> <p style="text-align: right;">MATERIAL:</p>
DRAWN	APPROVED												
DATE:	SCALE												
	NTS												
SHEET:	PART NUMBER												
1 OF 1	45-3A7X3												
		REVISION											

1  
2  
3  
4  
5  
6