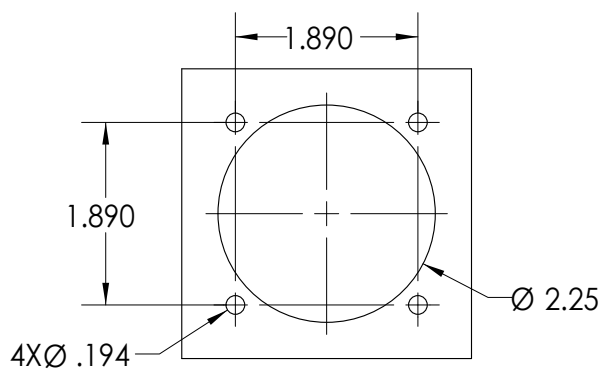
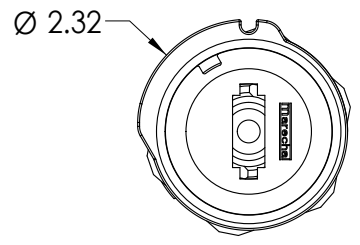
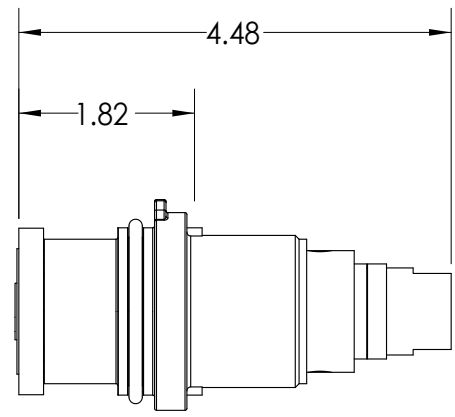
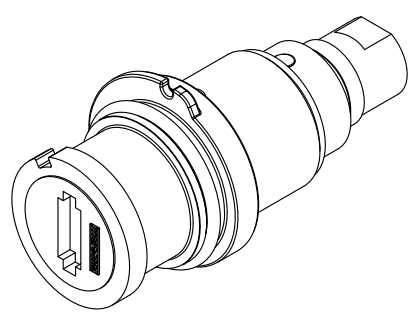
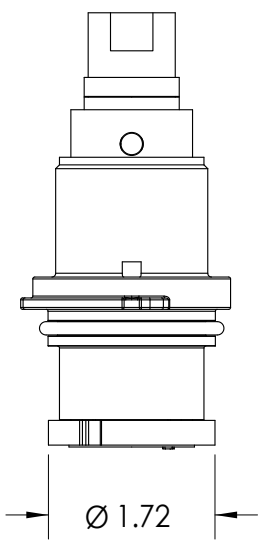


This drawing is the property of MELTRIC Corporation, Franklin (Milwaukee), Wisconsin, USA. Any unauthorized copying of this drawing by any means, or disclosure of its contents to any person not authorized by MELTRIC Corporation or its agents to receive it, is strictly prohibited.

G F E D C B A



ENTRY HOLE PATTERN
(REQUIRES ADAPTER PLATE
PT# 45-3A540)

TOLERANCES UNLESS OTHERWISE SPECIFIED		 A COMPANY OF MARÉCHAL ÉLECTRIC		DRAWING TITLE:	
MACHINED SURFACES $\sqrt[125]{\text{MAX}}$	ENGLISH 0.X ±0.05 0.XX ±0.01 0.XXX ±0.005			DATE:	SCALE
GROUND SURFACES $\sqrt[32]{\text{MAX}}$			NTS	BLACK POLY CASING	
ANGLE TOLERANCE ±1° REMOVE BURRS & SHARP EDGES TO .015 MAX.		SHEET:	PART NUMBER		REVISION
DIMENSIONS SHOWN IN OVALS ARE INSPECTION DIMENSIONS.	1 OF 1	45-3400x-P80			