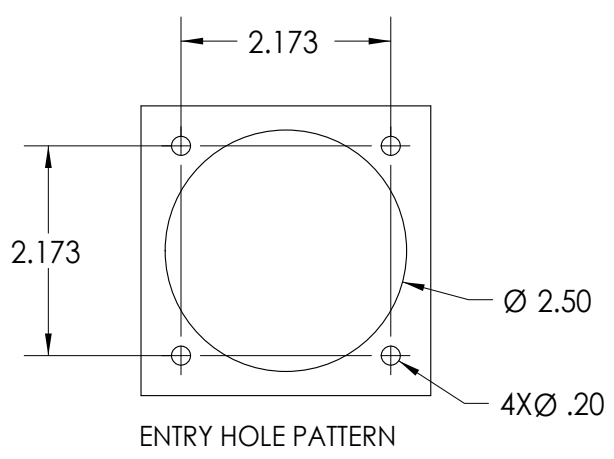
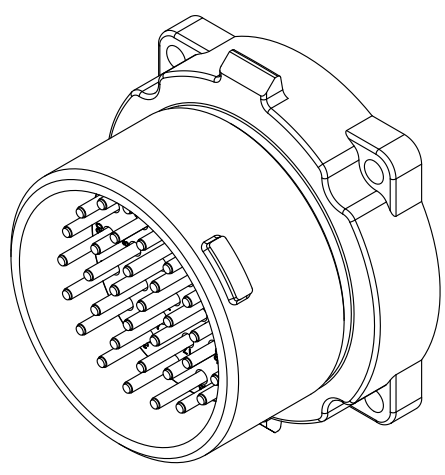
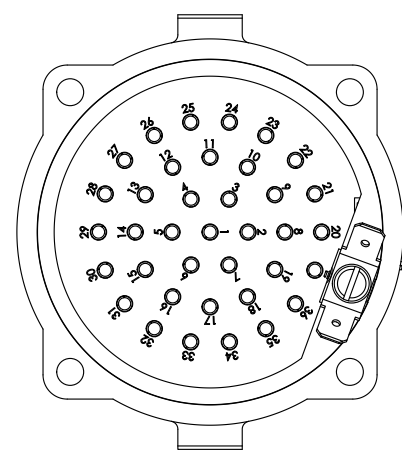
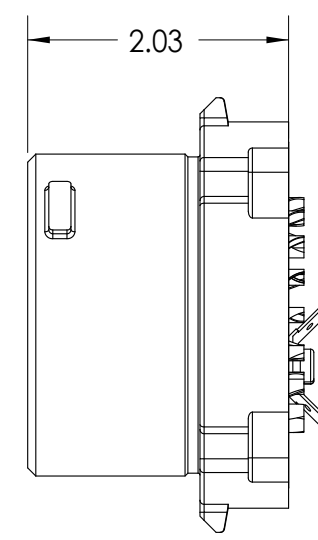
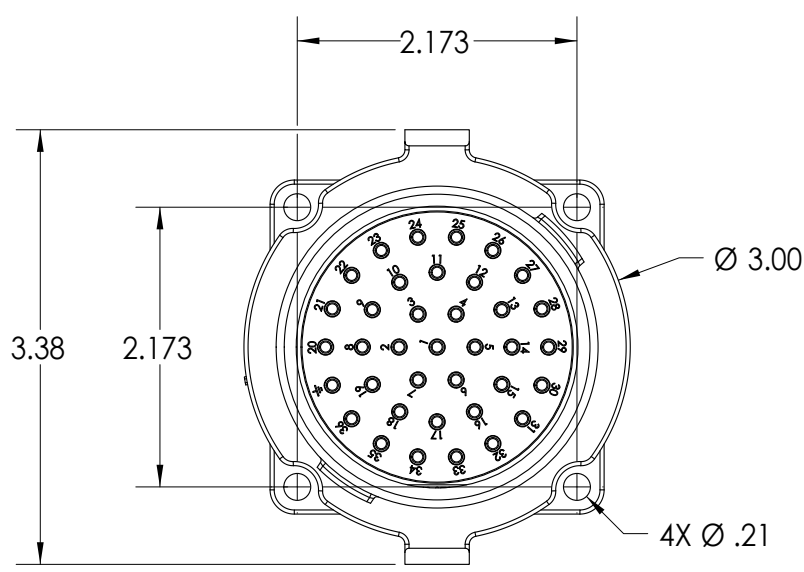


This drawing is the property of MELTRIC Corporation, Franklin (Milwaukee), Wisconsin, USA. Any unauthorized copying of this drawing by any means, or disclosure of its contents to any person not authorized by MELTRIC Corporation or its agents to receive it, is strictly prohibited.



TOLERANCES UNLESS OTHERWISE SPECIFIED		MELTRIC A COMPANY OF MARECHAL ELECTRIC	
MACHINED SURFACES $\sqrt[125]{\text{MAX}}$ GROUND SURFACES $\sqrt[32]{\text{MAX}}$ ANGLE TOLERANCE $\pm 1^\circ$ REMOVE BURRS & SHARP EDGES TO .015 MAX.	ENGLISH 0.X ±0.05 0.XX ±0.01 0.XXX ±0.005	DRAWN	APPROVED
<div style="border: 1px solid black; border-radius: 10px; width: 20px; height: 10px; display: inline-block; margin-right: 5px;"></div> DIMENSIONS SHOWN IN OVALS ARE INSPECTION DIMENSIONS.		DRAWING TITLE: DS37c INLET	
		MATERIAL: STAINLESS STEEL	
SHEET: 1 OF 1		PART NUMBER 37-C8003-SS	
		REVISION	