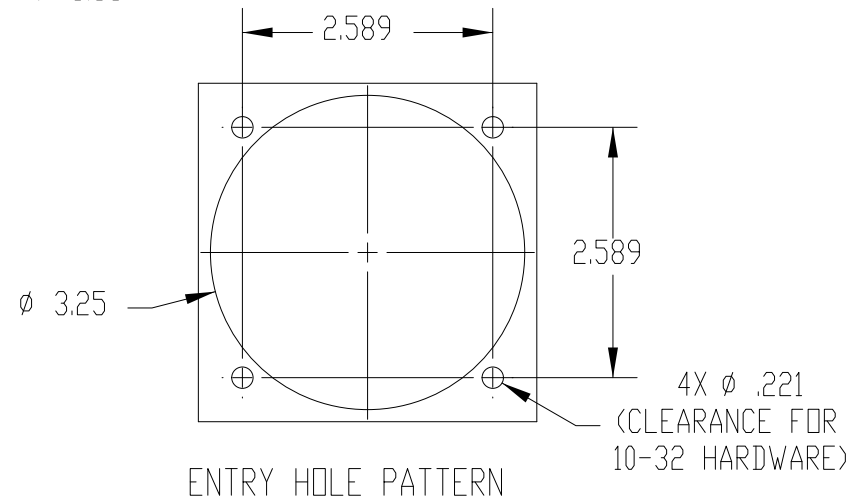
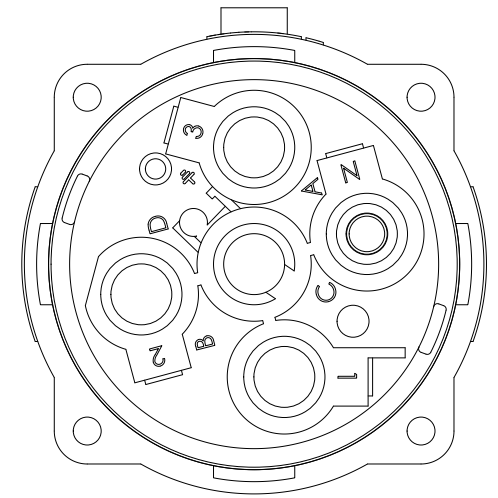
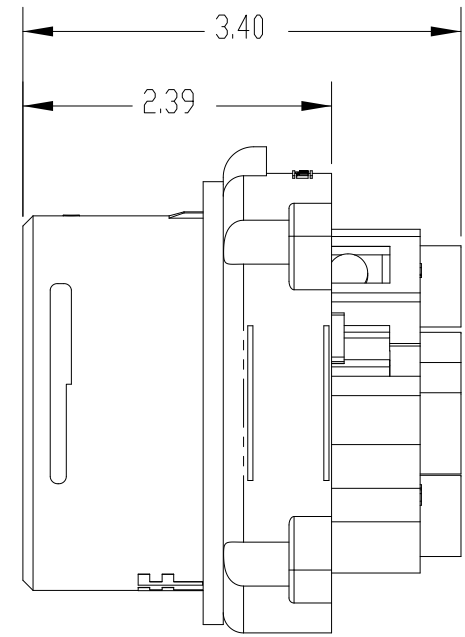
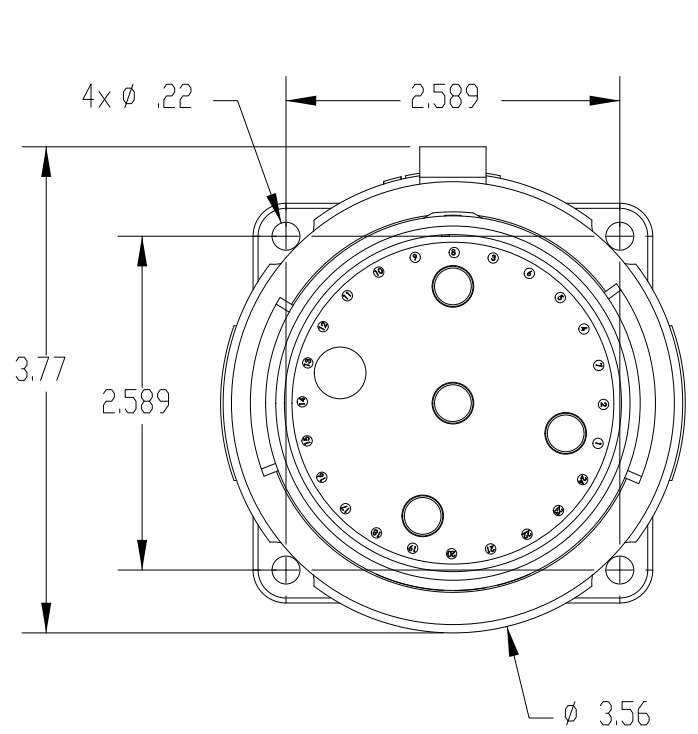
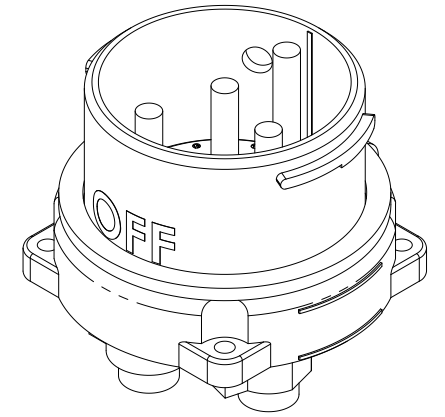


This drawing is the property of MELTRIC Corporation, Franklin (Milwaukee), Wisconsin, USA. Any unauthorized copying of this drawing by any means, or disclosure of its contents to any person not authorized by MELTRIC Corporation or its agents to receive it, is strictly prohibited.



ENTRY HOLE PATTERN



HAZARDOUS RATINGS:
 CII Div2, Gr ABCD, T6
 CII Zone 2, IIC

TOLERANCES UNLESS OTHERWISE SPECIFIED		 A COMPANY OF MARÉCHAL ÉLECTRIQUE			
MACHINED SURFACES	125 $\sqrt{\text{MAX}}$			ENGLISH	
GROUND SURFACES	32 $\sqrt{\text{MAX}}$	0.X ±0.05	DRAWN	APPROVED	DRAWING TITLE:
ANGLE TOLERANCE	±1°	0.XX ±0.01	DATE:		DS100c POLY HAZARDOUS LOCATION INLET
REMOVE BURRS & SHARP EDGES TO .015 MAX.		0.XXX ±0.005	SCALE:		MATERIAL:
			SHEET:		BLACK POLY CASING
			1 OF 1		PART NUMBER
					35-68xxx-C-Kxx-xxx-HAZ
					REVISION