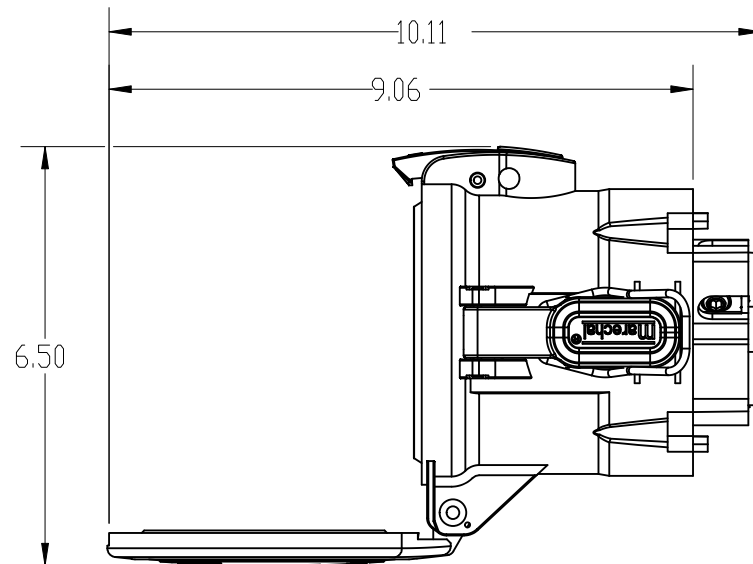
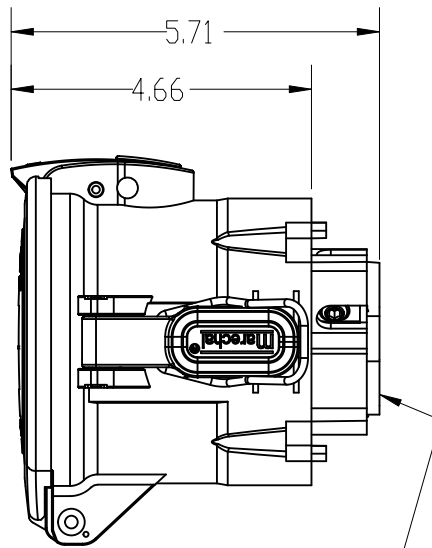
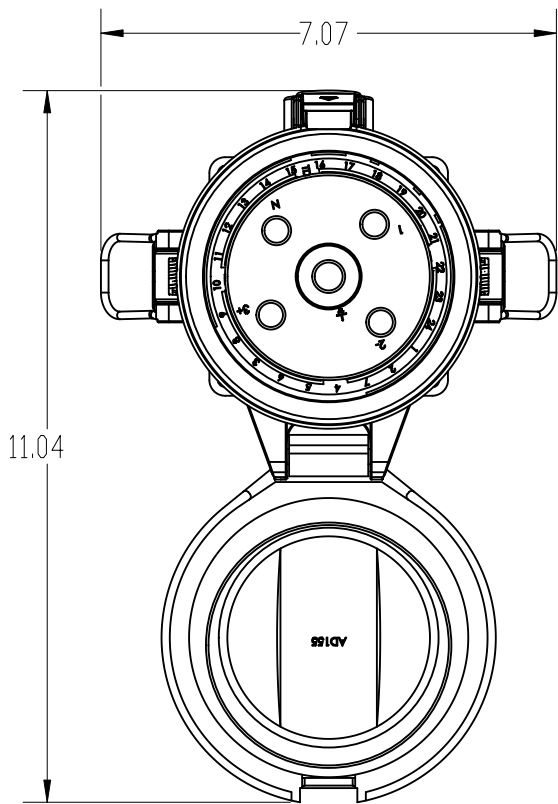
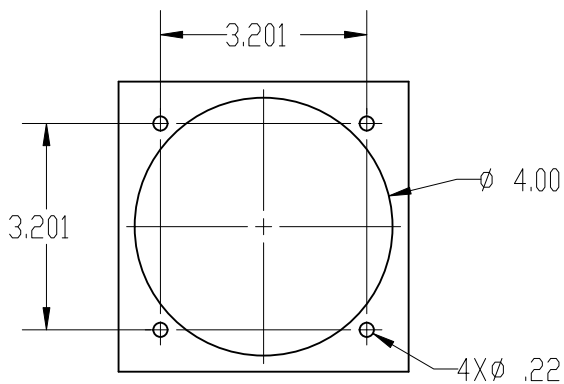


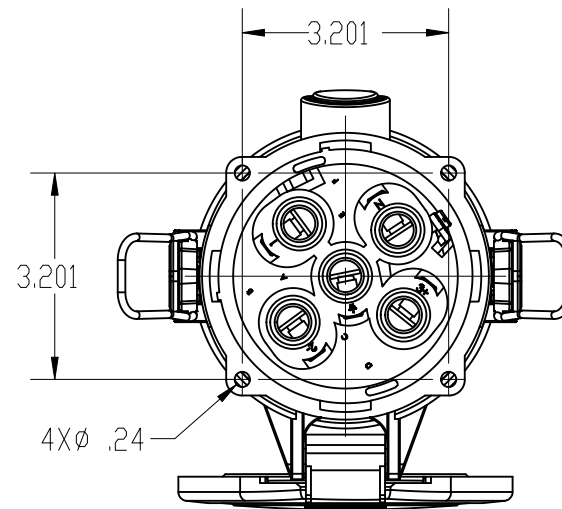
This drawing is the property of MELTRIC Corporation, Franklin (Milwaukee), Wisconsin, USA. Any unauthorized copying of this drawing by any means, or disclosure of its contents to any person not authorized by MELTRIC Corporation or its agents to receive it, is strictly prohibited.



600 VDC
DEVICES WILL HAVE
JUMPERS & EXTRA
CONTACTS.



ENTRY HOLE PATTERN



TOLERANCES UNLESS OTHERWISE SPECIFIED		 MELTRIC A COMPANY OF MARÉCHAL ÉLECTRIC	
MACHINED SURFACES	125 MAX		
GROUND SURFACES	32 MAX	ENGLISH	DRAWING TITLE:
ANGLE TOLERANCE	± 1°	0.X ±0.05	DATE:
REMOVE BURRS & SHARP EDGES TO .015 MAX.		0.XX ±0.01	SCALE:
		0.XXX ±0.005	MATERIAL:
DIMENSIONS SHOWN IN OVALS ARE INSPECTION DIMENSIONS.			NTS
			BLUE POLY CASING
			PART NUMBER
			33-94XXX(-XXX)
			REVISION

1
2
3
4
5
6