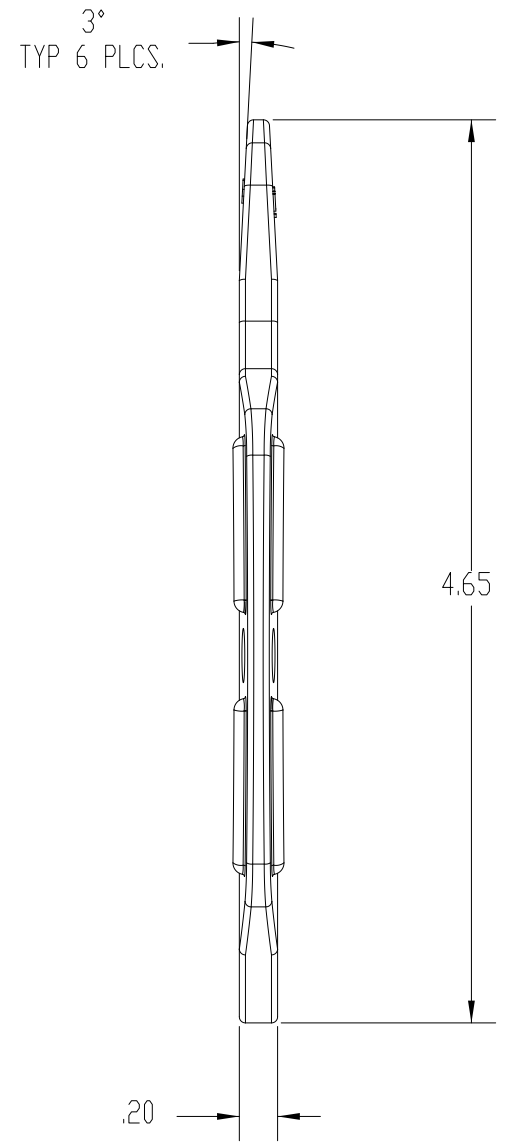
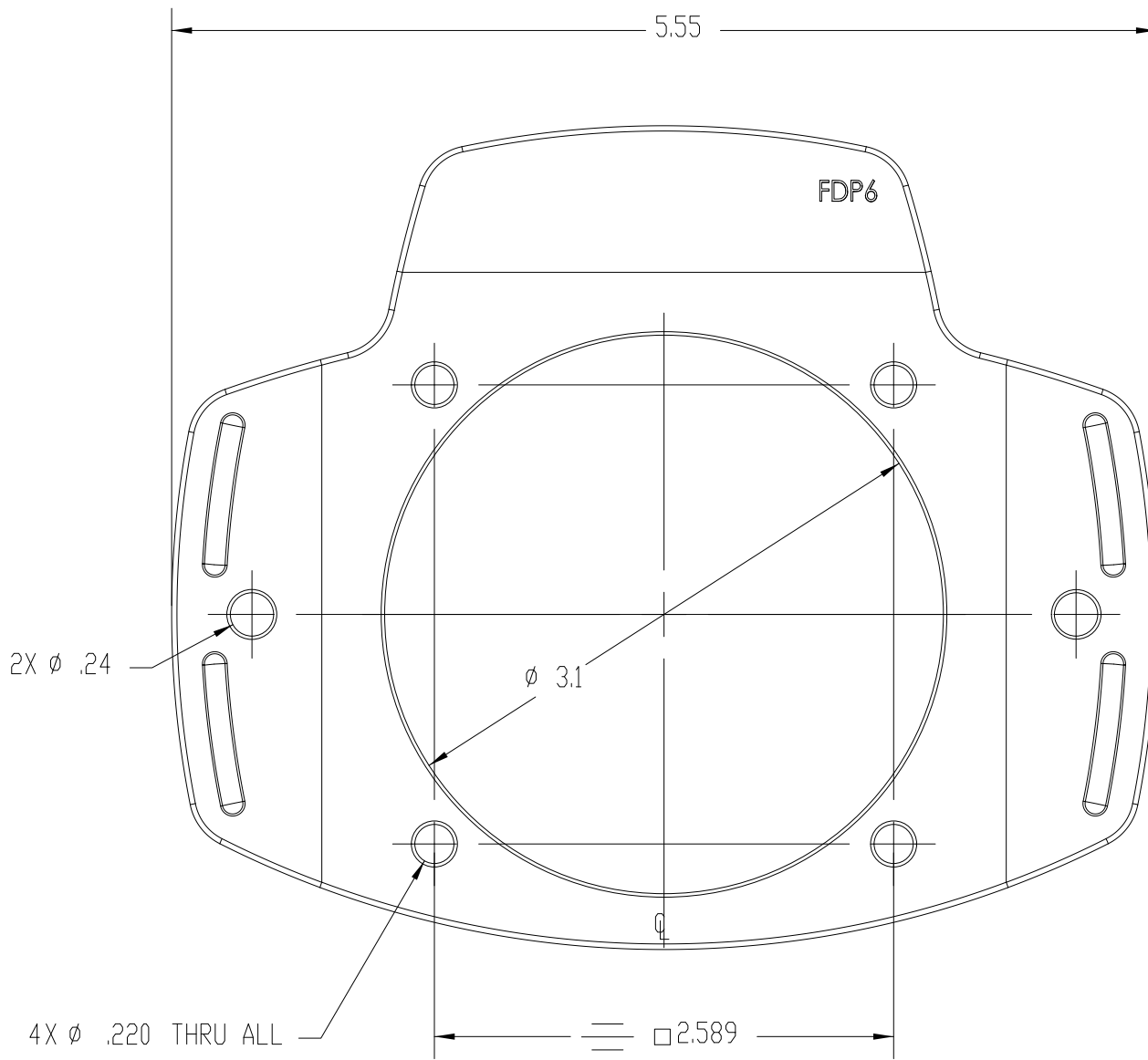


This drawing is the property of MELTRIC Corporation, Franklin (Wisconsin), Wisconsin, USA. Any unauthorized copying of this drawing by any means, or disclosure of its contents to any person not authorized by MELTRIC Corporation or its agents to receive it, is strictly prohibited.



TOLERANCES UNLESS OTHERWISE SPECIFIED		 A COMPANY OF MARÉCHAL ÉLECTRIC		DRAWING TITLE:	
MACHINED SURFACES	$\sqrt{125}$ MAX			DATE:	SCALE
GROUND SURFACES	$\sqrt{32}$ MAX	APPROVED:	NTS	PLASTIC	
ANGLE TOLERANCE	$\pm 1^\circ$				
REMOVE BURRS & SHARP EDGES TO .015 MAX.					
DIMENSIONS SHOWN IN OVALS ARE INSPECTION DIMENSIONS.		PROJECT NUMBER	PART NUMBER		SHEET:
		NONE	31-6A346		1 OF 1