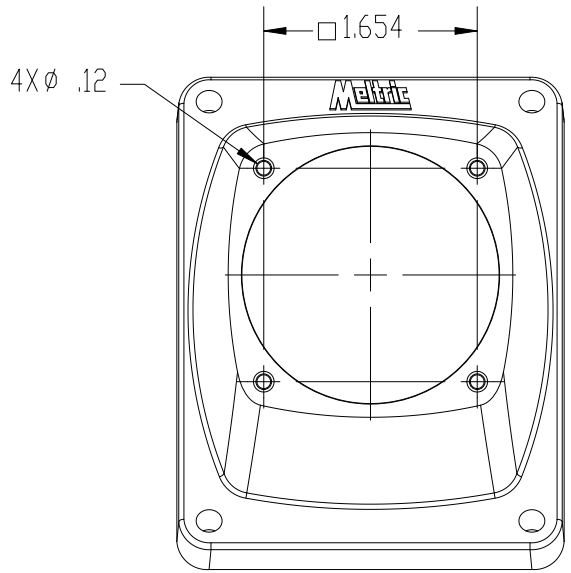
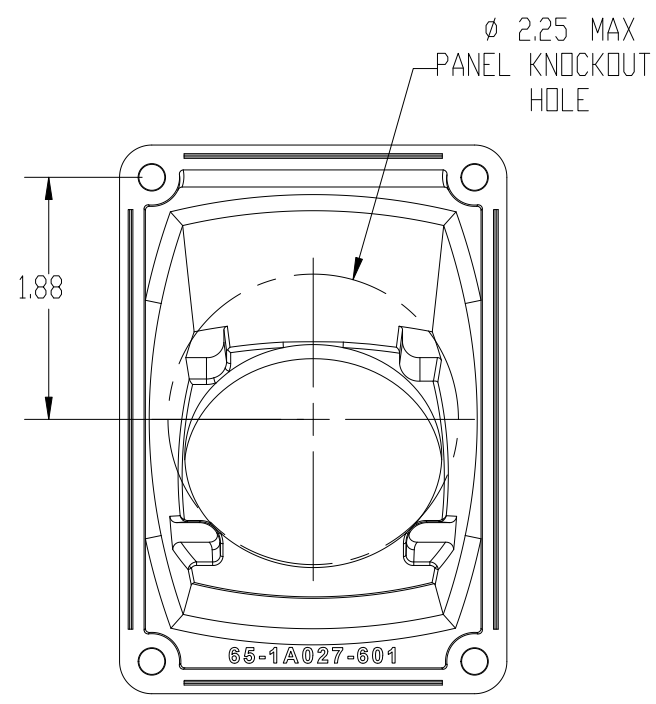
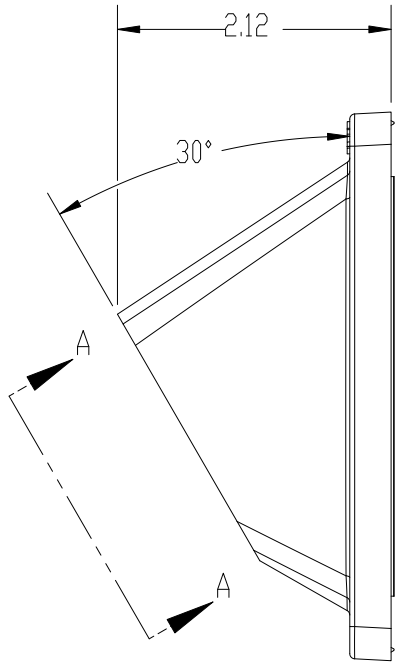
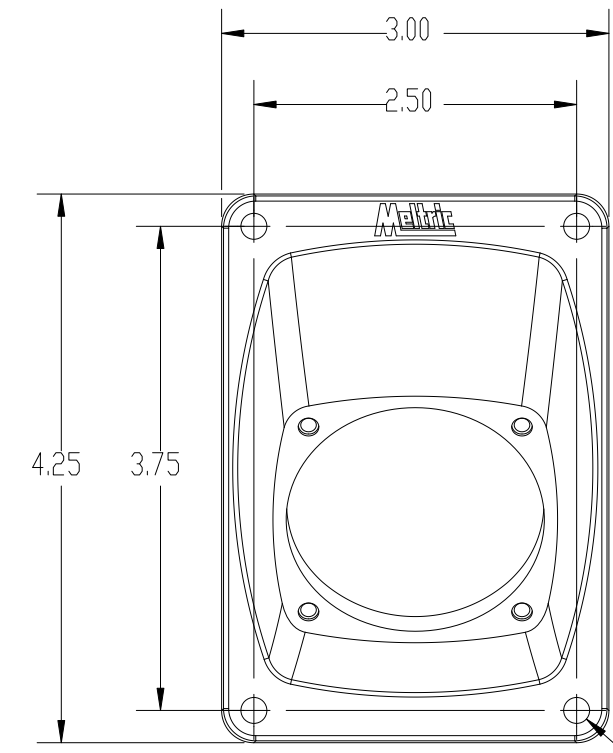


This drawing is the property of MELTRIC Corporation, Franklin (Milwaukee), Wisconsin, USA. Any unauthorized copying of this drawing by any means, or disclosure of its contents to any person not authorized by MELTRIC Corporation or its agents to receive it, is strictly prohibited.



VIEW A-A
 30°
 SCALE 1 : 1.5

TOLERANCES UNLESS OTHERWISE SPECIFIED		 A COMPANY OF MARÉCHAL ELECTRIC			
MACHINED SURFACES	125 $\sqrt{\text{MAX}}$			ENGLISH	
GROUND SURFACES	32 $\sqrt{\text{MAX}}$	0.X ±0.05	DRAWN	APPROVED	DRAWING TITLE:
ANGLE TOLERANCE	±1°	0.XX ±0.01	DATE:		DXN20 NYLON 30° ANGLE
REMOVE BURRS & SHARP EDGES TO .015 MAX.		0.XXX ±0.005	SCALE	NTS	MATERIAL:
DIMENSIONS SHOWN IN OVALS ARE INSPECTION DIMENSIONS.			SHEET:	1 OF 1	BLACK POLY
			PART NUMBER		22-1A057
			REVISION		