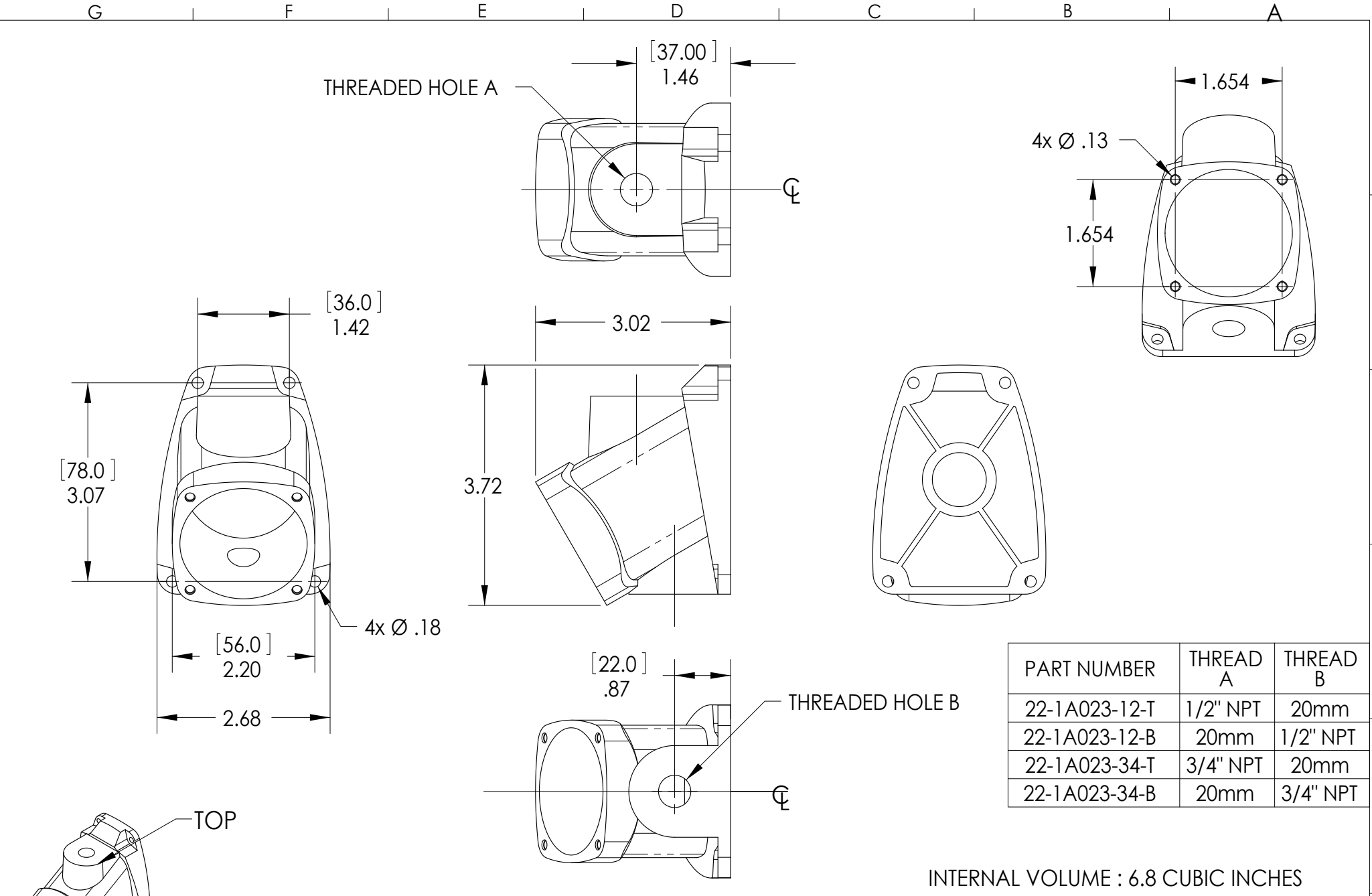


This drawing is the property of MELTRIC Corporation, Franklin (Milwaukee), Wisconsin, USA. Any unauthorized copying of this drawing by any means, or disclosure of its contents to any person not authorized by MELTRIC Corporation or its agents to receive it, is strictly prohibited.



PART NUMBER	THREAD A	THREAD B
22-1A023-12-T	1/2" NPT	20mm
22-1A023-12-B	20mm	1/2" NPT
22-1A023-34-T	3/4" NPT	20mm
22-1A023-34-B	20mm	3/4" NPT

INTERNAL VOLUME : 6.8 CUBIC INCHES

TOLERANCES UNLESS OTHERWISE SPECIFIED	
MACHINED SURFACES $\sqrt[125]{\text{MAX}}$	ENGLISH 0.X ±0.05 0.XX ±0.01 0.XXX ±0.005
GROUND SURFACES $\sqrt[32]{\text{MAX}}$	
ANGLE TOLERANCE ±1°	
REMOVE BURRS & SHARP EDGES TO .015 MAX.	
DIMENSIONS SHOWN IN OVALS ARE INSPECTION DIMENSIONS.	

		DRAWING TITLE:	
		DXN20 POLY 30° WALL BOX	
DATE:	SCALE	MATERIAL:	
	NTS	BLACK POLY	
SHEET:	PART NUMBER		REVISION
1 OF 1	22-1A023-xx		