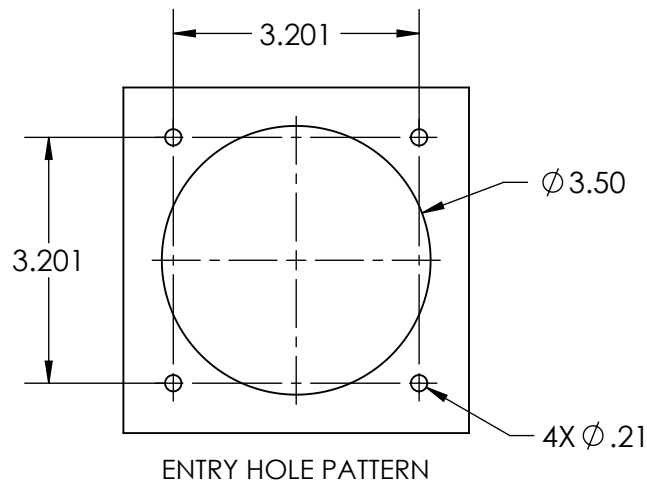
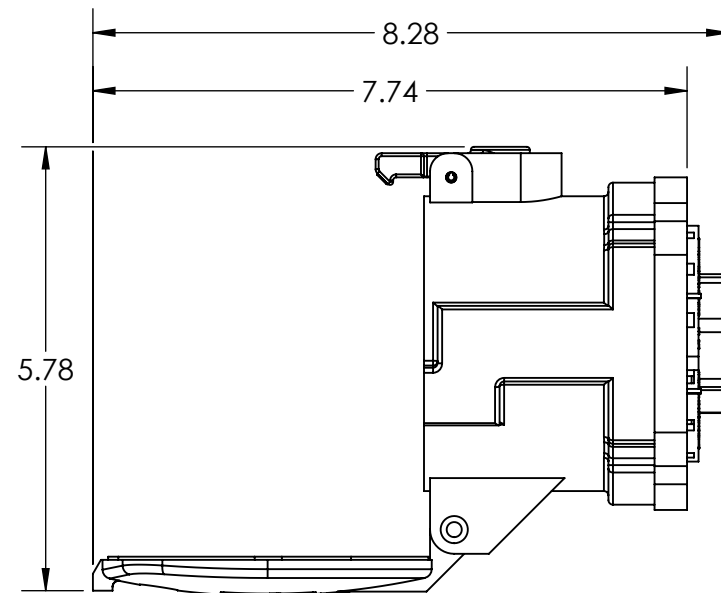
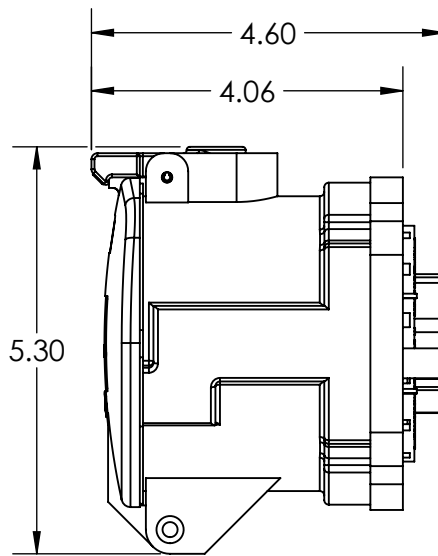
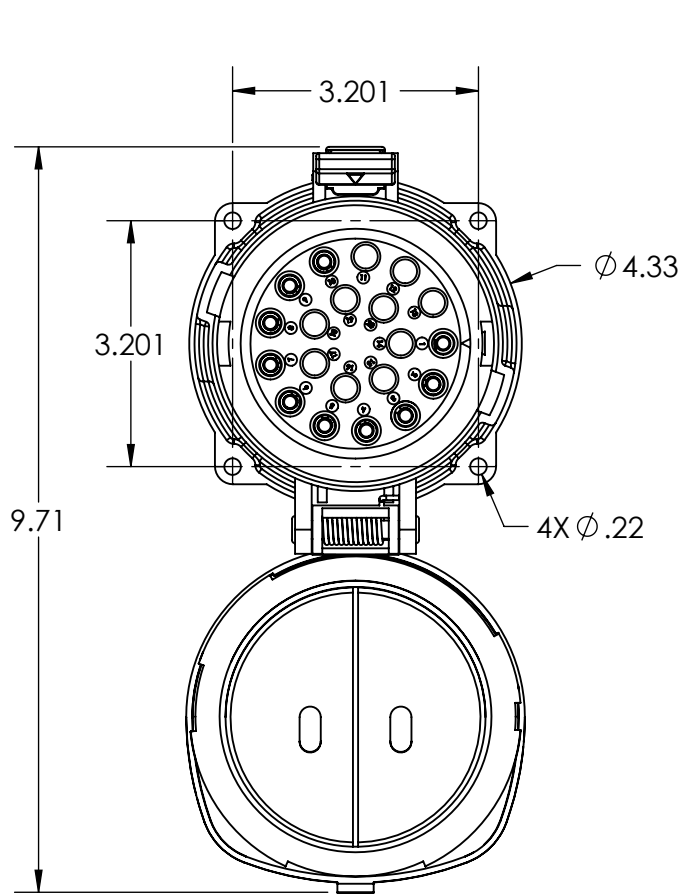
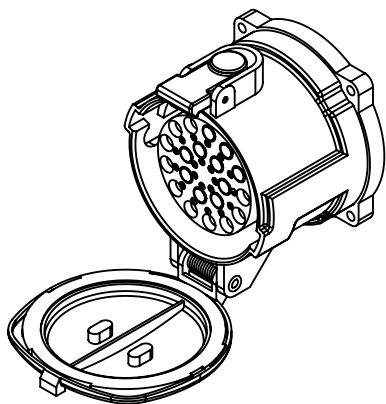
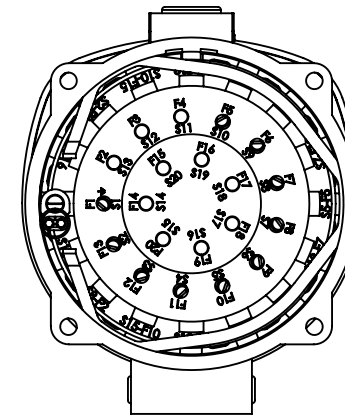
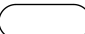


This drawing is the property of MELTRIC Corporation, Franklin (Milwaukee) Wisconsin, USA. Any unauthorized copying of this drawing by any means, ENG/RD/06 REV: 21 ISSUED DATE: 10/7/16 or disclosure of its contents to any person not authorized by MELTRIC Corporation or its agents to receive it, is strictly prohibited.



RECEPTACLE CONTACT NUMBERS ARE REPRESENTED BY "S".



TOLERANCES UNLESS OTHERWISE SPECIFIED		MELTRIC	
MACHINED SURFACES $\sqrt[125]{\text{MAX}}$	ENGLISH	A COMPANY OF MARÉCHAL ÉLECTRIC	
GROUND SURFACES $\sqrt[32]{\text{MAX}}$		DRAWN	APPROVED
ANGLE TOLERANCE $\pm 1^\circ$	0.X ± 0.05 0.XX ± 0.01 0.XXX ± 0.005	DRAWING TITLE:	
REMOVE BURRS & SHARP EDGES TO .015 MAX.		DATE:	SCALE
 DIMENSIONS SHOWN IN OVALS ARE INSPECTION DIMENSIONS.		SHEET:	MATERIAL:
	1 OF 1	17-64xxx	PART NUMBER
			REVISION