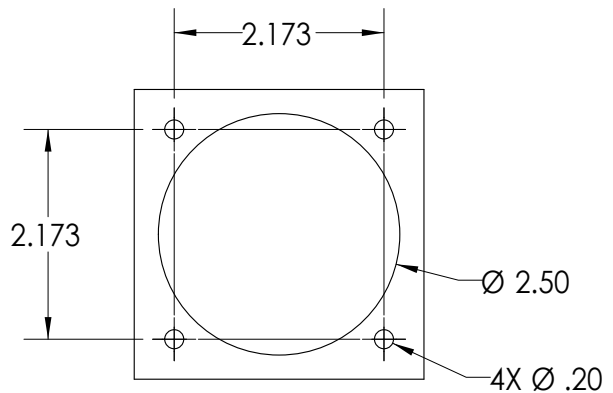
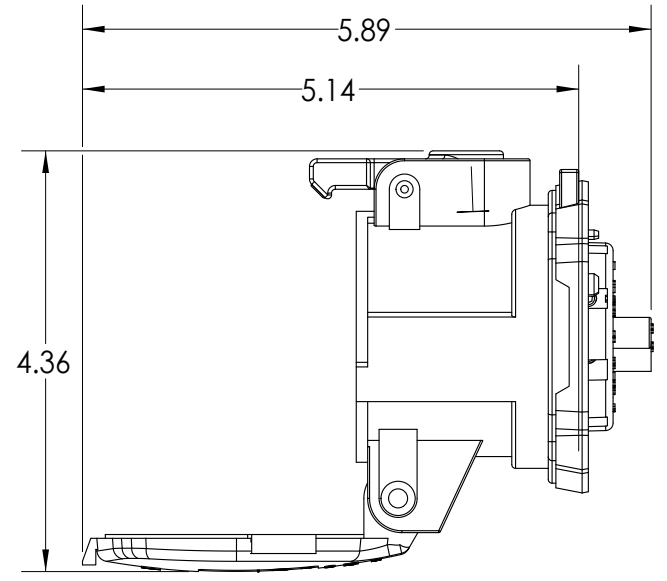
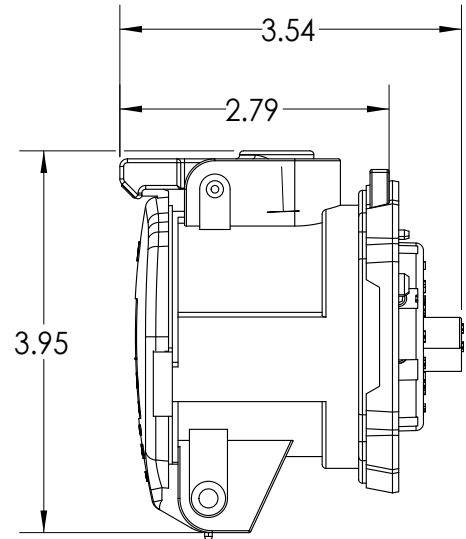
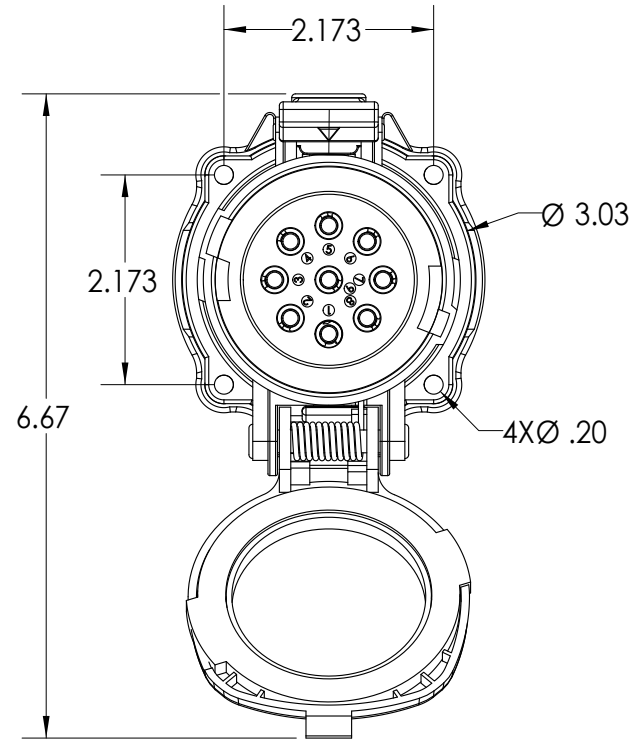
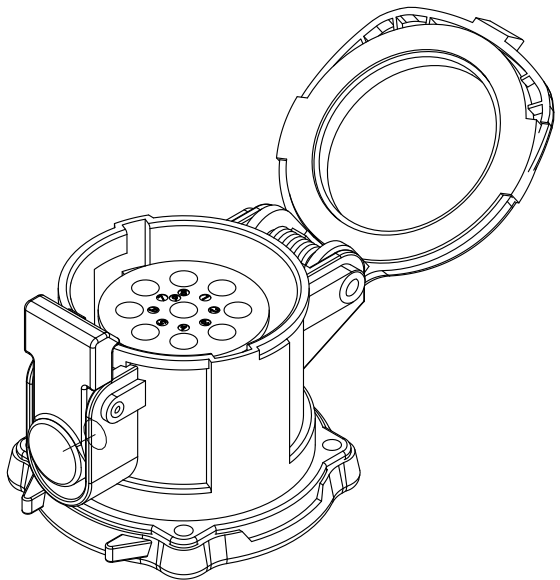
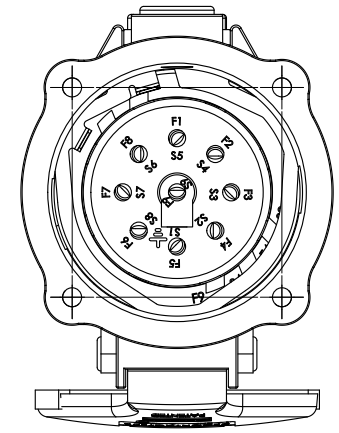


This drawing is the property of MELTRIC Corporation, Franklin (Milwaukee), Wisconsin, USA. Any unauthorized copying of this drawing by any means, or disclosure of its contents to any person not authorized by MELTRIC Corporation or its agents to receive it, is strictly prohibited. ENG/RD/06 REV: 20 ISSUED DATE: 11/15/11



ENTRY HOLE PATTERN

RECEPTACLE CONTACT NUMBERS ARE REPRESENTED BY "S".



TOLERANCES UNLESS OTHERWISE SPECIFIED		 A COMPANY OF MARÉCHAL ELECTRIC		DRAWING TITLE:	
MACHINED SURFACES $\sqrt[125]{\text{MAX}}$	ENGLISH 0.X ±0.05 0.XX ±0.01 0.XXX ±0.005			DATE:	SCALE
GROUND SURFACES $\sqrt[32]{\text{MAX}}$		APPROVED	NTS	PAINTED METAL CASING	
ANGLE TOLERANCE ±1°				PART NUMBER	REVISION
REMOVE BURRS & SHARP EDGES TO .015 MAX.		SHEET:	17-140xx		
DIMENSIONS SHOWN IN OVALS ARE INSPECTION DIMENSIONS.		1 OF 1			