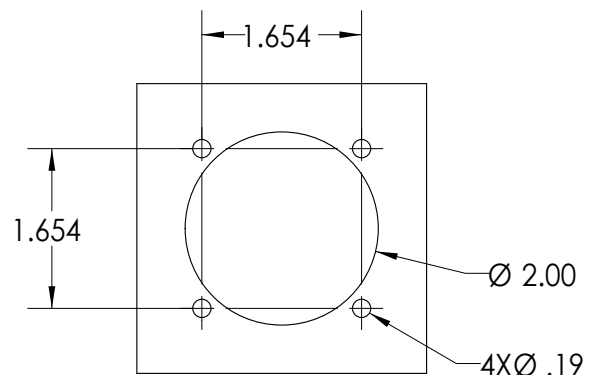
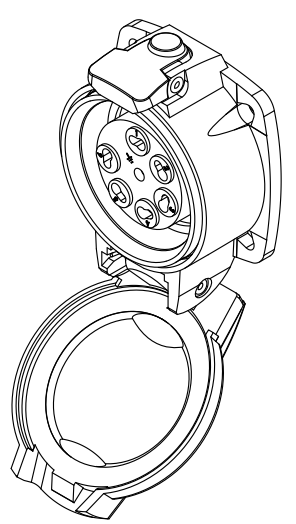
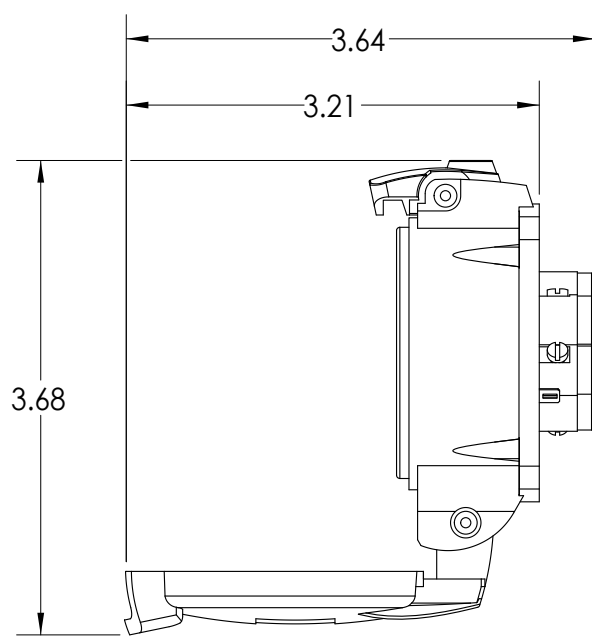
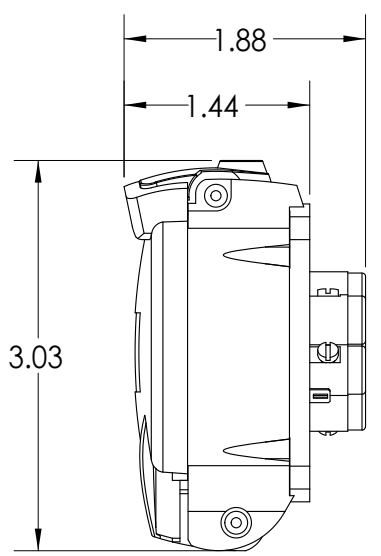
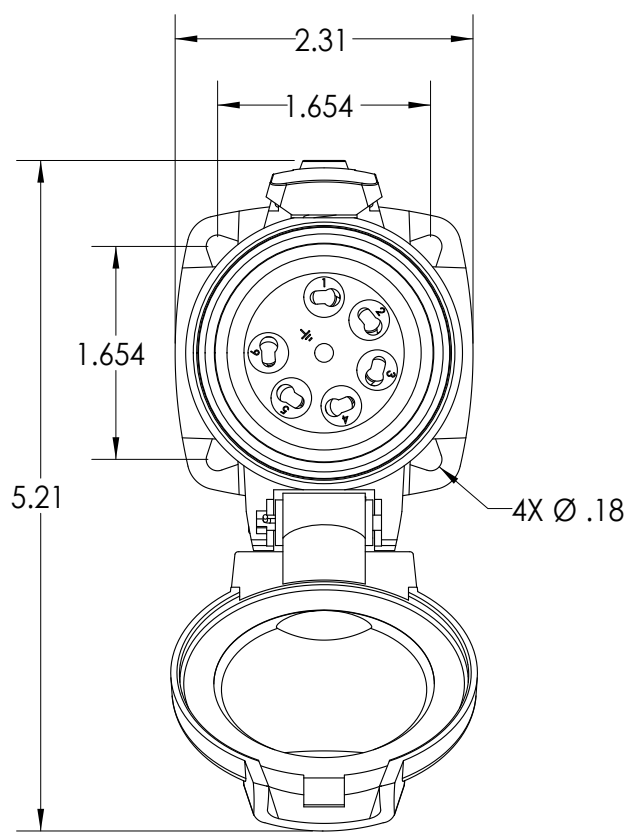
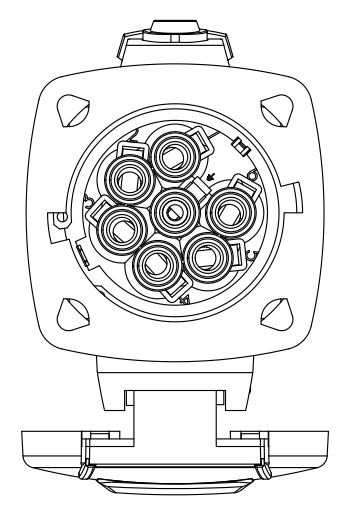


This drawing is the property of MELTRIC Corporation, Franklin (Milwaukee), Wisconsin, USA. Any unauthorized copying of this drawing by any means or disclosure of its contents to any person not authorized by MELTRIC Corporation or its agents to receive it, is strictly prohibited.



ENTRY HOLE PATTERN



| | | | |
|--|--------------|------------------------------------|-----------------------|
| TOLERANCES UNLESS OTHERWISE SPECIFIED | | A COMPANY OF MARECHAL ELECTRIC | |
| MACHINED SURFACES $\sqrt[125]{\text{MAX}}$ | ENGLISH | | |
| GROUND SURFACES $\sqrt[32]{\text{MAX}}$ | 0.X ±0.05 | DRAWING TITLE: | |
| ANGLE TOLERANCE ±1° | 0.XX ±0.01 | PN7c METAL RECEPTACLE | |
| REMOVE BURRS & SHARP EDGES TO .015 MAX. | 0.XXX ±0.005 | DATE: | SCALE: NTS |
| DIMENSIONS SHOWN IN OVALS ARE INSPECTION DIMENSIONS. | | MATERIAL: PAINTED METAL CASING | |
| | | SHEET: 1 OF 1 | PART NUMBER: 09-P40x1 |
| | | | REVISION |