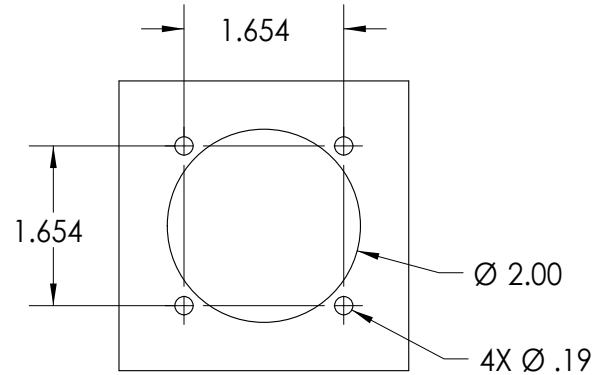
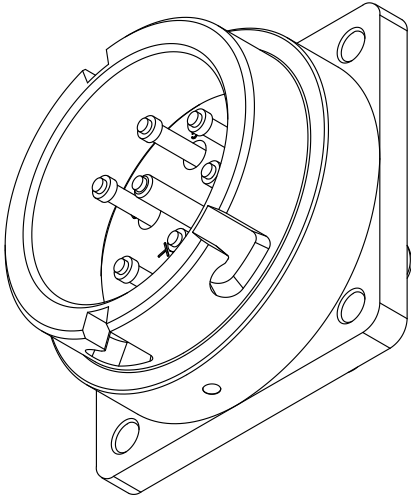
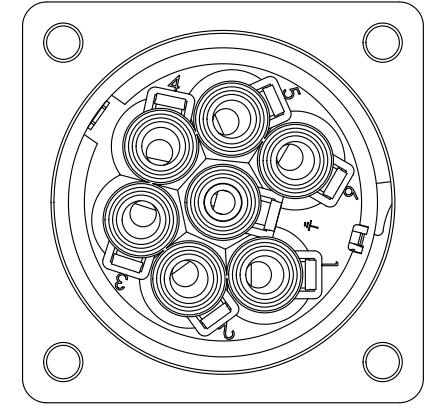
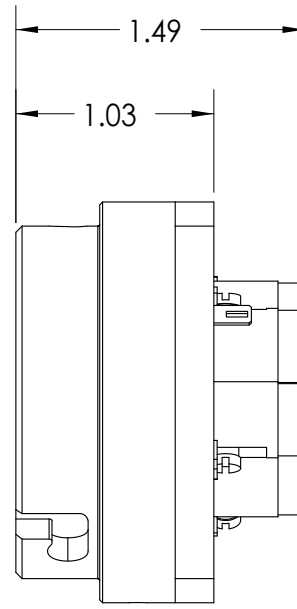
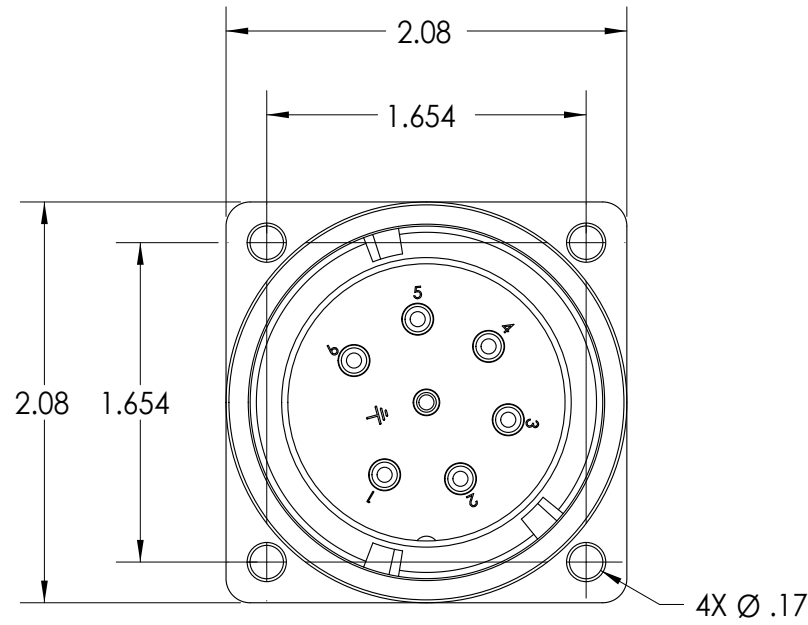


This drawing is the property of MELTRIC Corporation, Franklin (Milwaukee), Wisconsin, USA. Any unauthorized copying of this drawing by any means or disclosure of its contents to any person not authorized by MELTRIC Corporation or its agents to receive it, is strictly prohibited.



ENTRY HOLE PATTERN

TOLERANCES UNLESS OTHERWISE SPECIFIED		 A COMPANY OF MARECHAL ELECTRIC	
MACHINED SURFACES $\sqrt[125]{\text{MAX}}$	ENGLISH 0.X ±0.05 0.XX ±0.01 0.XXX ±0.005		
GROUND SURFACES $\sqrt[32]{\text{MAX}}$		DRAWING TITLE: PN7c STAINLESS STEEL INLET	
ANGLE TOLERANCE ±1°	DATE: _____ SCALE: NTS SHEET: 1 OF 1	MATERIAL: STAINLESS STEEL CASING	
REMOVE BURRS & SHARP EDGES TO .015 MAX.		PART NUMBER 09-080x1-SS	
DIMENSIONS SHOWN IN OVALS ARE INSPECTION DIMENSIONS.	REVISION		