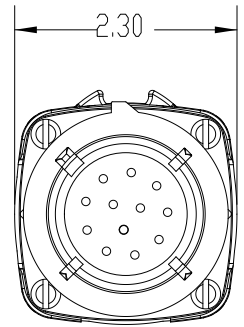
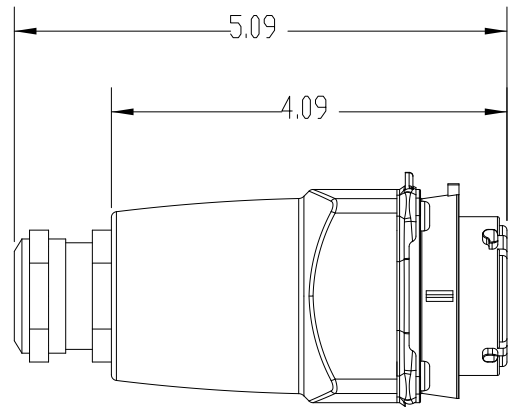
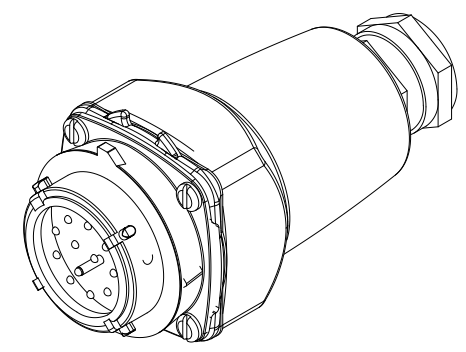


This drawing is the property of MELTRIC Corporation, Franklin (Milwaukee), Wisconsin, USA. Any unauthorized copying of this drawing by any means, or disclosure of its contents to any person not authorized by MELTRIC Corporation or its agents to receive it, is strictly prohibited.

G F E D C B A

1
2
3
4
5
6



TOLERANCES UNLESS OTHERWISE SPECIFIED		 A COMPANY OF MARÉCHAL ELECTRIC		DRAWING TITLE:	
MACHINED SURFACES	125 $\sqrt{\text{MAX}}$			ENGLISH	DRAWN
GROUND SURFACES	32 $\sqrt{\text{MAX}}$	0.X ± 0.05	DATE:	SCALE	MATERIAL:
ANGLE TOLERANCE	$\pm 1^\circ$	0.XX ± 0.01		NTS	METAL
REMOVE BURRS & SHARP EDGES TO .015 MAX.		0.XXX ± 0.005	SHEET:		REVISION
DIMENSIONS SHOWN IN OVALS ARE INSPECTION DIMENSIONS.			1 OF 1	06-A1001	PART NUMBER