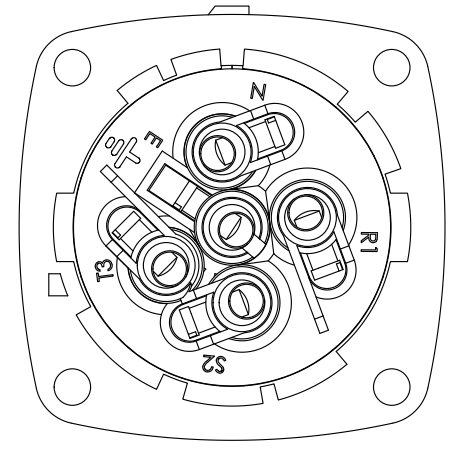
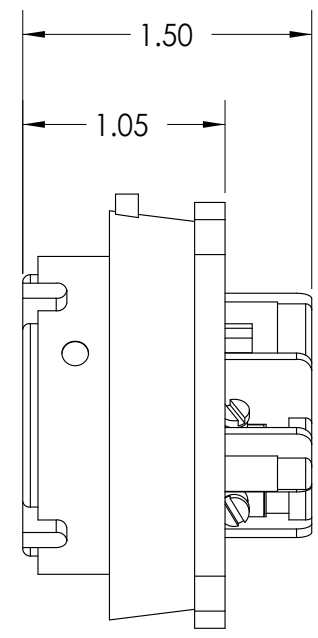
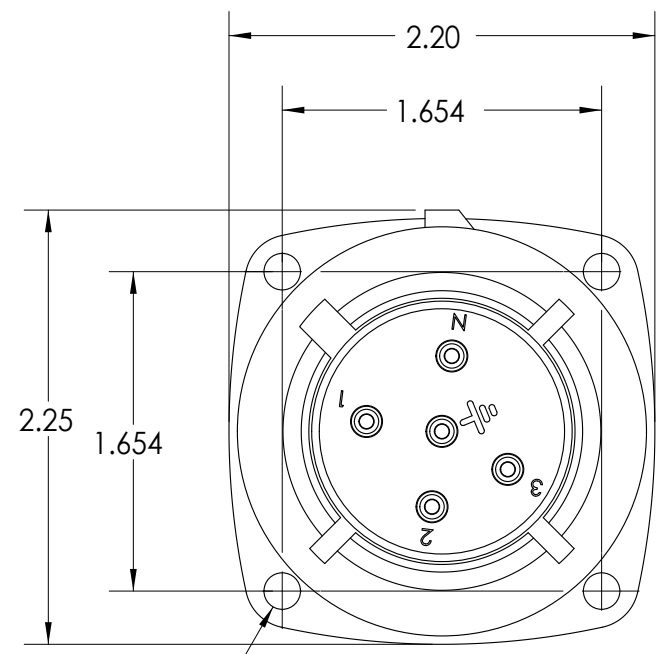
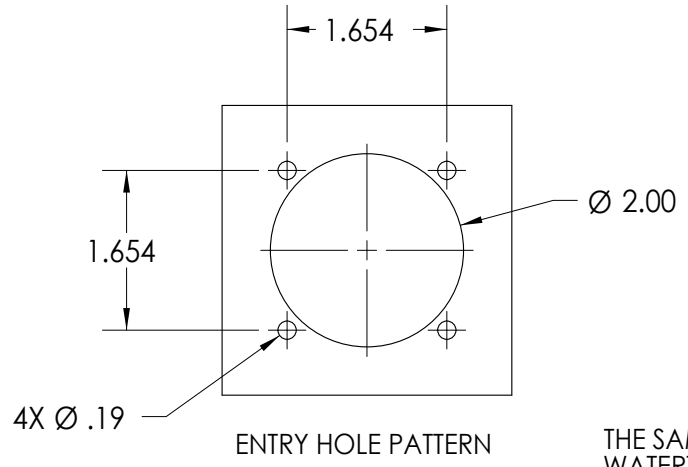
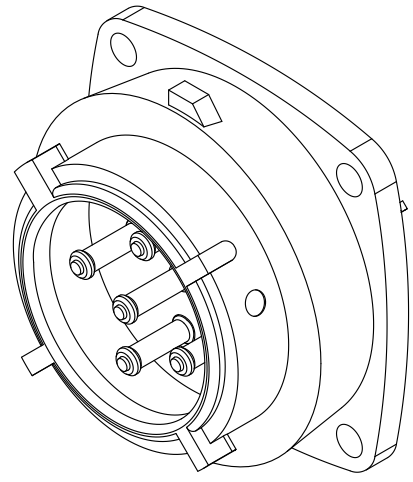


This drawing is the property of MELTRIC Corporation, Franklin (Milwaukee), Wisconsin, USA. Any unauthorized copying of this drawing by any means, or disclosure of its contents to any person not authorized by MELTRIC Corporation or its agents to receive it, is strictly prohibited.



4X Ø .19 THRU



THE SAME MALE INLET IS USED FOR IP55 OR IP66+IP67 WATERTIGHT RATINGS.

TOLERANCES UNLESS OTHERWISE SPECIFIED		 A COMPANY OF MARECHAL ELECTRIC		DRAWING TITLE:	
MACHINED SURFACES $\sqrt[125]{\text{MAX}}$	ENGLISH 0.X ±0.05 0.XX ±0.01 0.XXX ±0.005			DATE:	SCALE
GROUND SURFACES $\sqrt[32]{\text{MAX}}$		PN20 INLET - 20AMP	DATE:	NTS	BLUE POLY CASING
ANGLE TOLERANCE ±1°		SHEET:	PART NUMBER		REVISION
REMOVE BURRS & SHARP EDGES TO .015 MAX.		1 OF 1	01-N8xxx		
DIMENSIONS SHOWN IN OVALS ARE INSPECTION DIMENSIONS.					